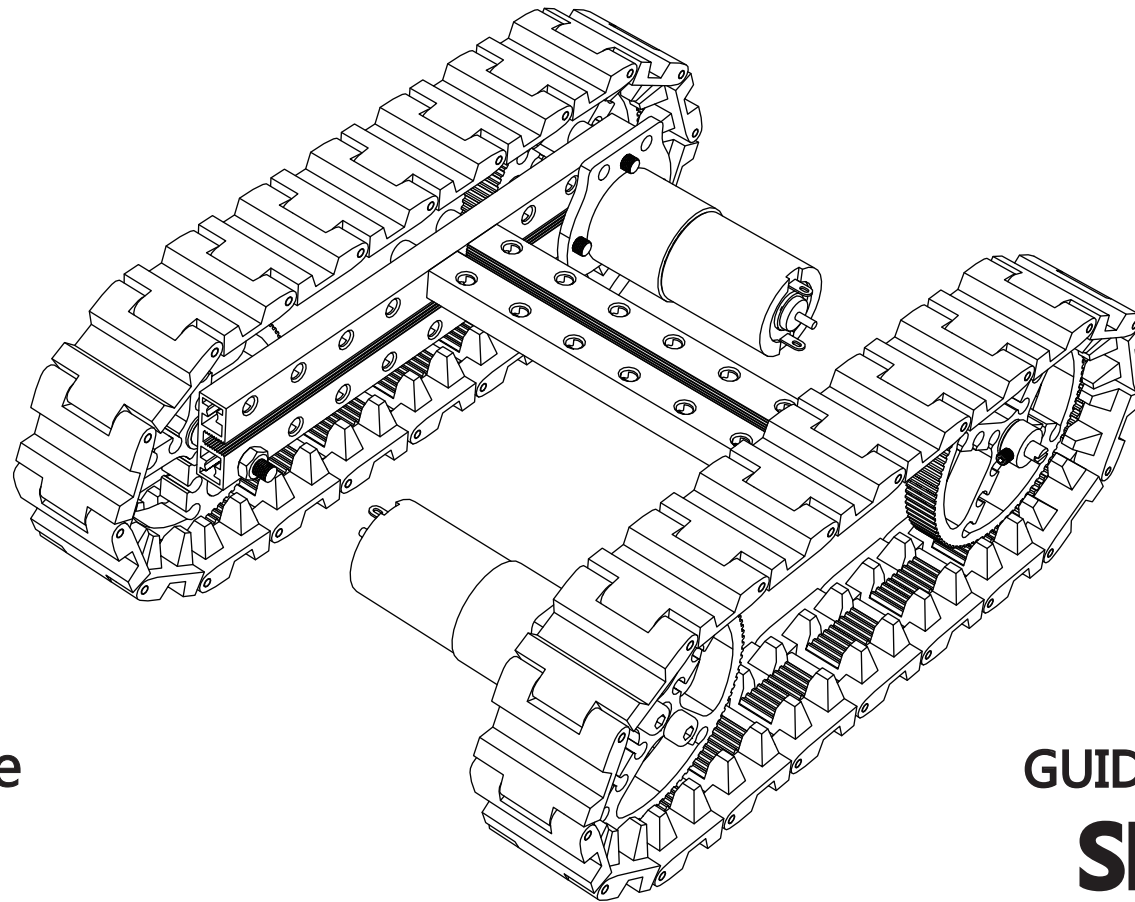


# Makeblock

CONSTRUCT YOUR DREAMS



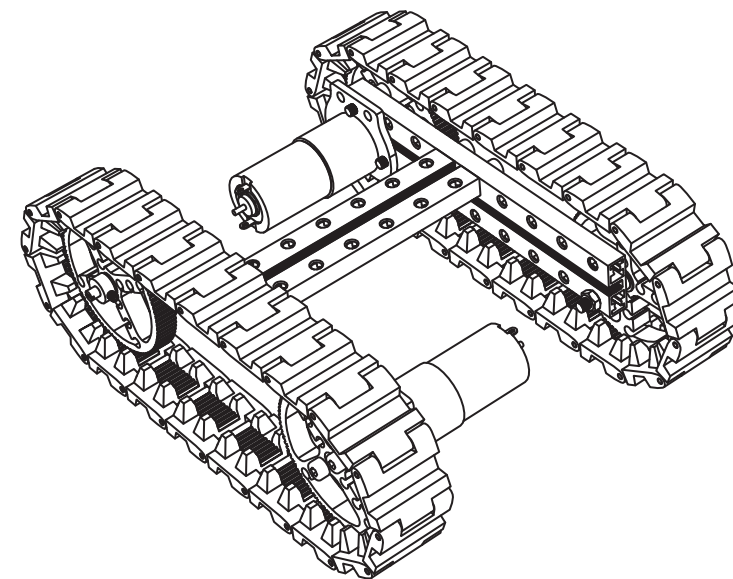
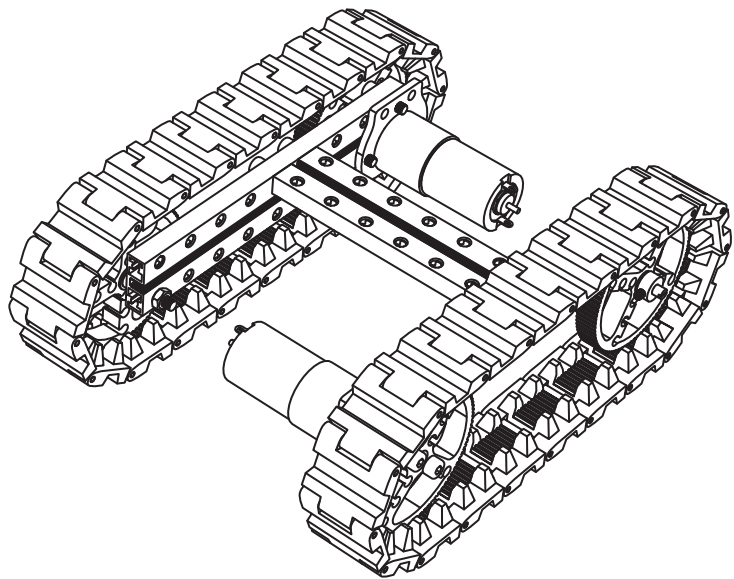
## Suitable for use

- Starter kit
- Advanced kit
- Ultimate kit
- Lab kit

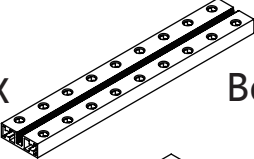


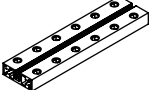




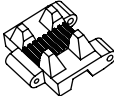
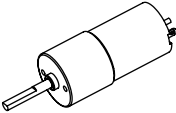




## GUIDE FOR BUILDING THE **SMALL TANK**

[www.makeblock.cc](http://www.makeblock.cc)

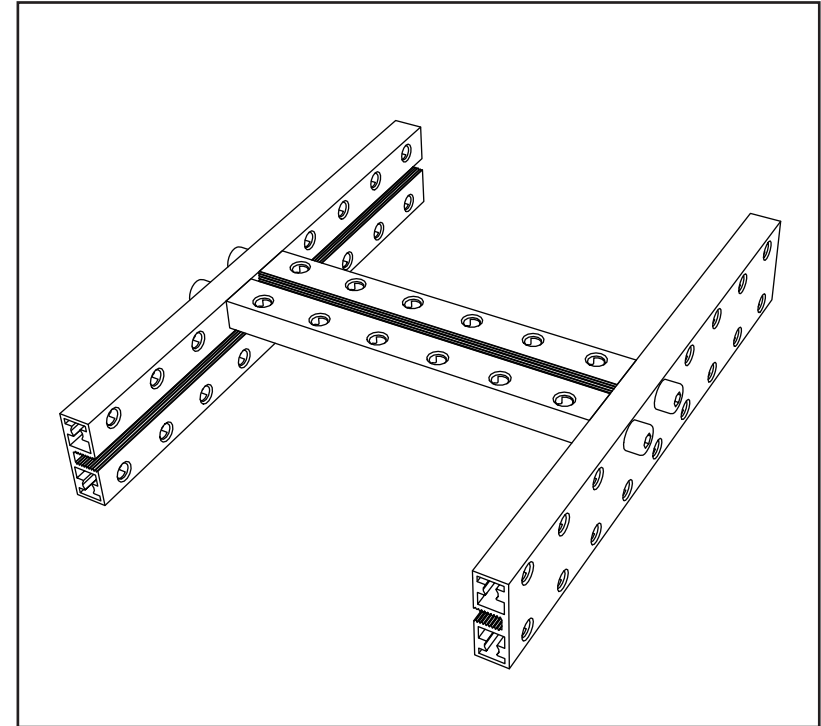
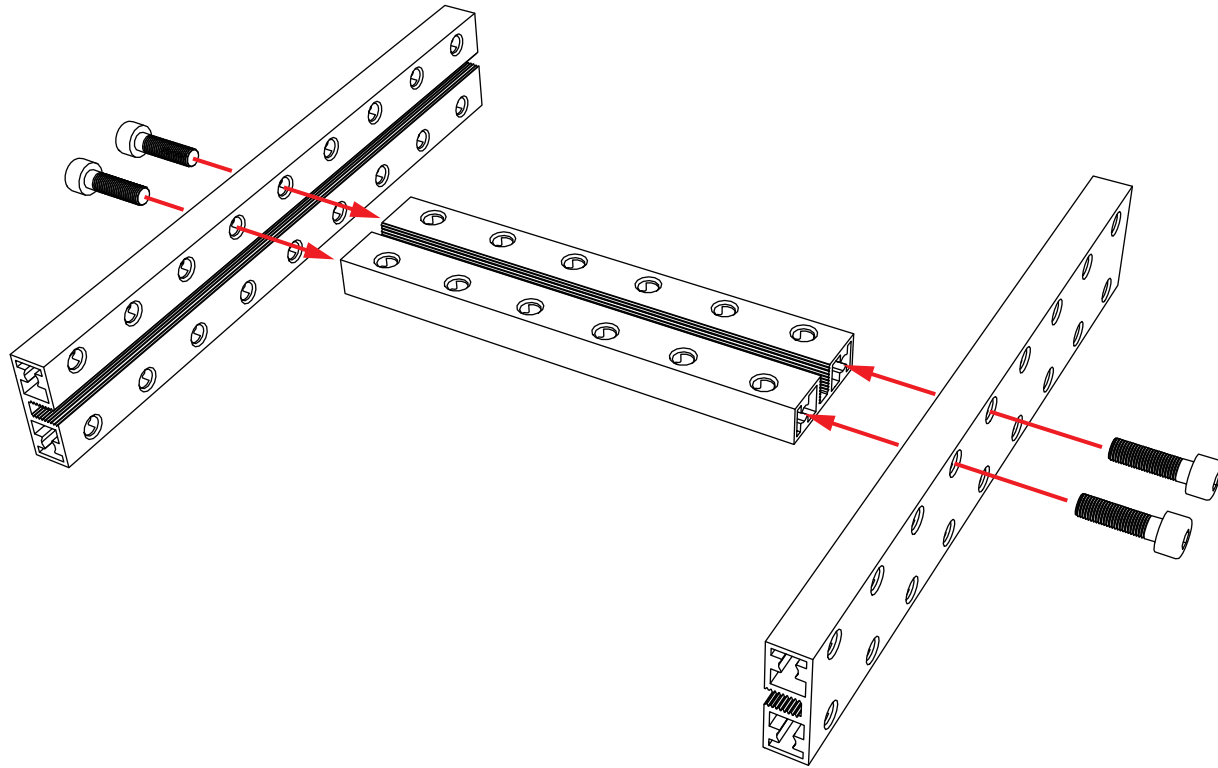
V1.1

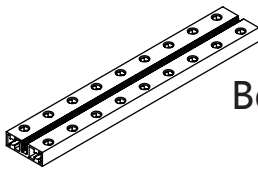
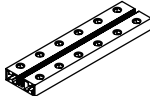



# Part list

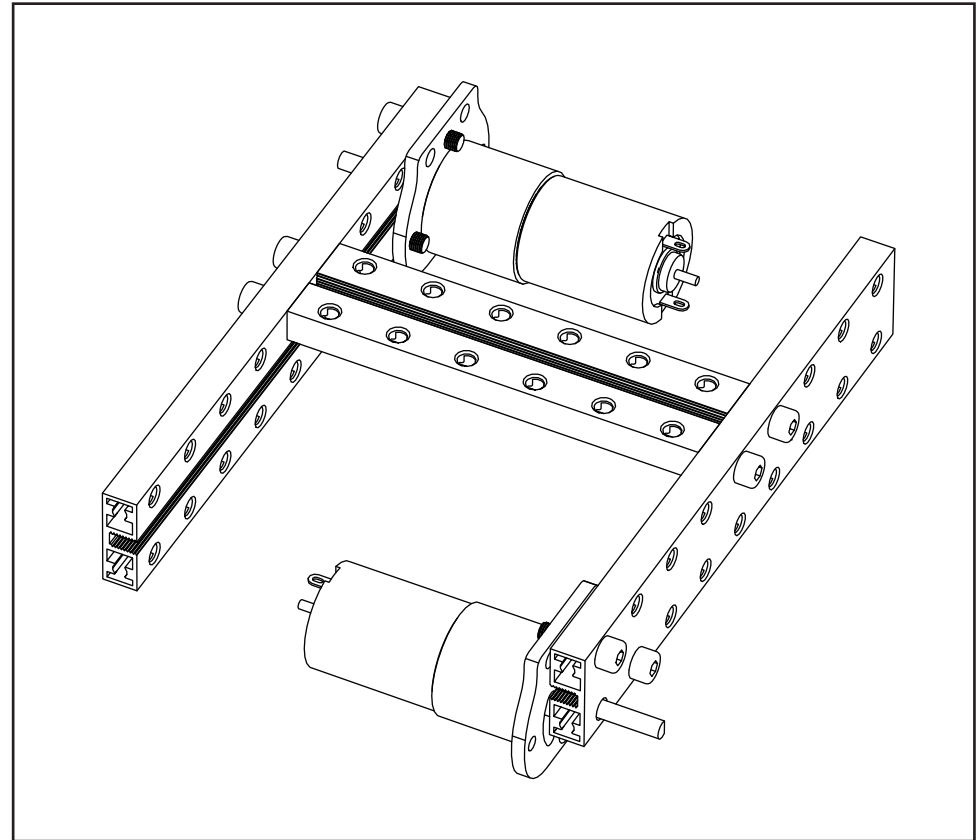
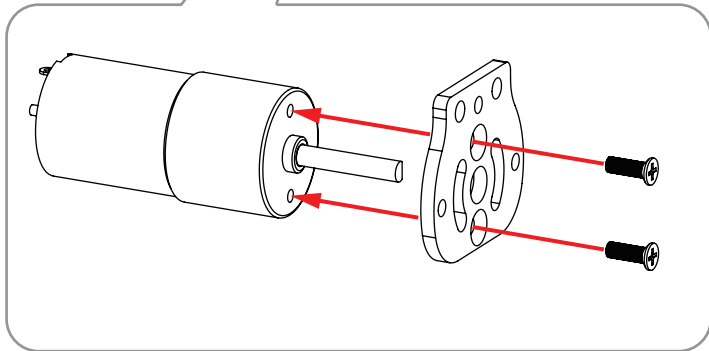
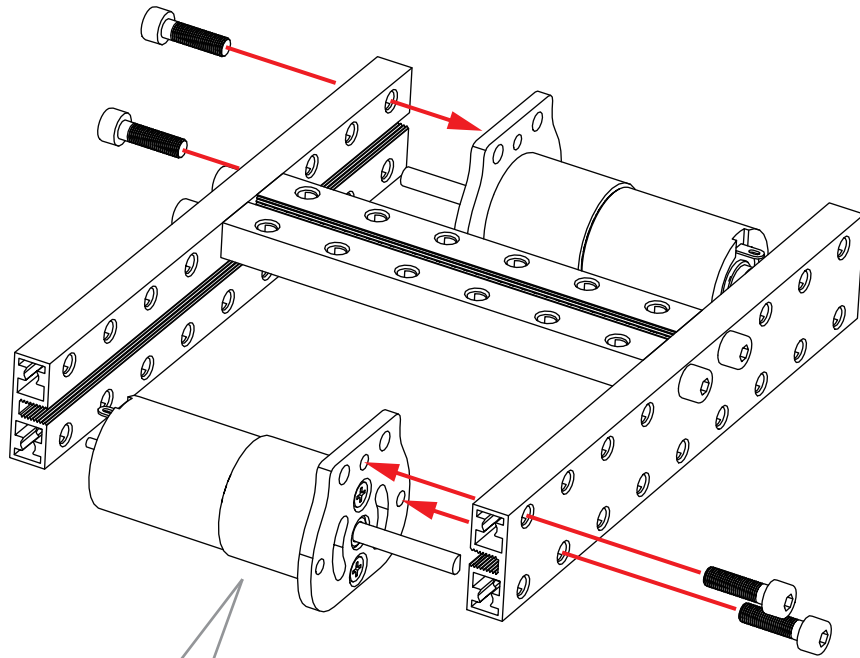
2x		Beam 0824-144	2x		Threaded Shaft 4X31mm	4x		Headless Screw M3x5
1x		Beam 0824-96	4x		Flange Bearing 4x8x3mm	2x		Nut M4
4x		Timing Pulley 90T	2x		Shaft Collar 4mm	40x		Track
2x		DC Motor-25	2x		Plastic Ring 4x7x2	40x		Track Axle
2x		DC Motor-25 Bracket	12x		Screw M4X14			
2x		Shaft Connector-4	4x		Countersunk Screw M3x8			


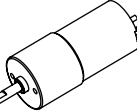


1



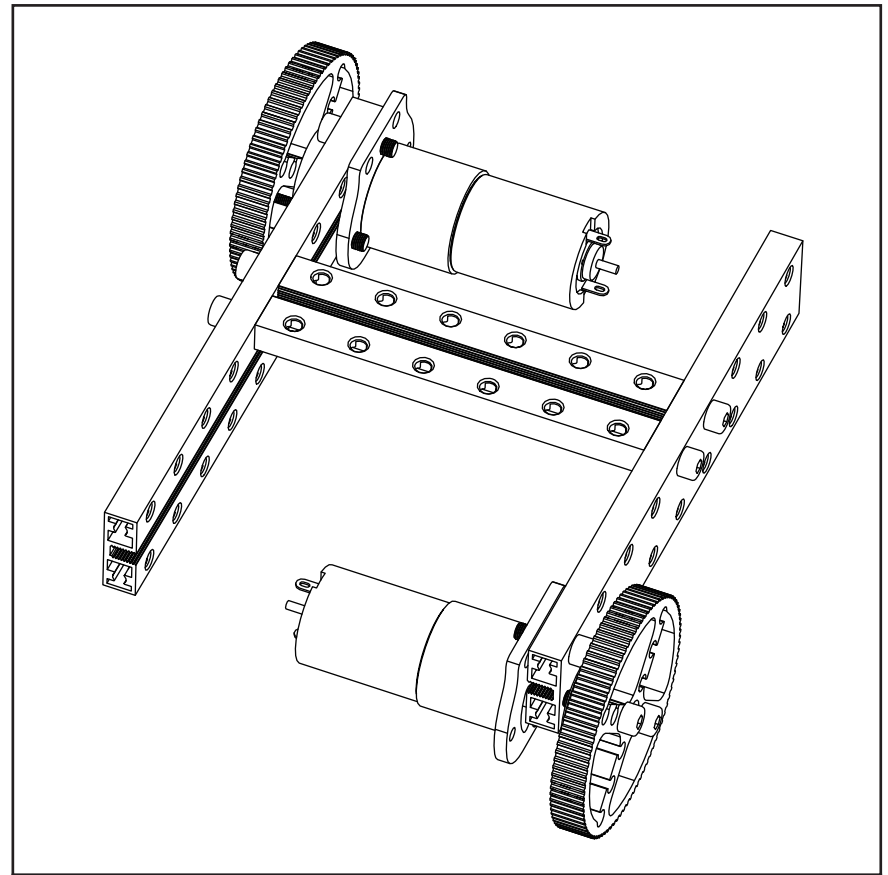
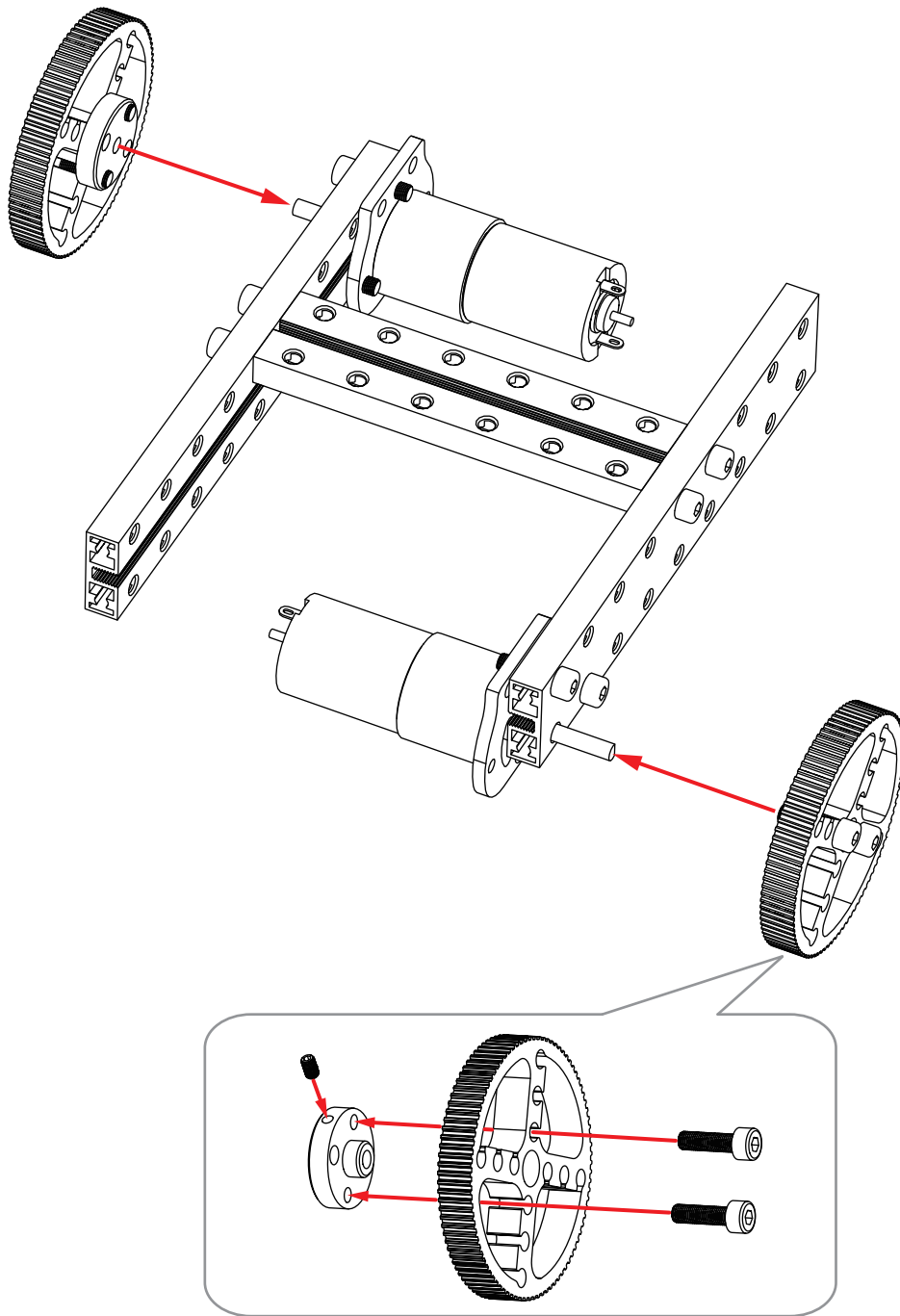
- 2x  Beam 0824-144
- 1x  Beam 0824-96
- 4x  Screw M4X14





2



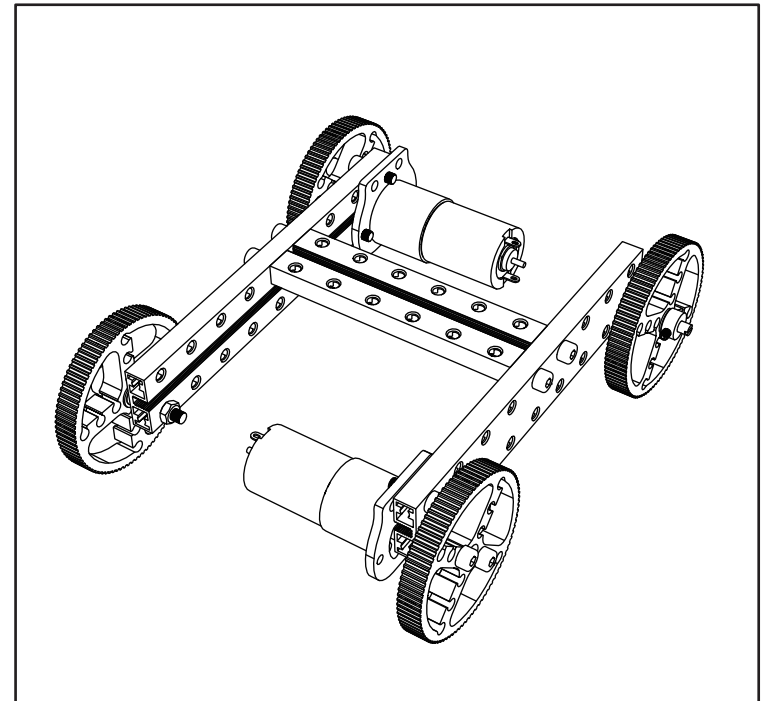
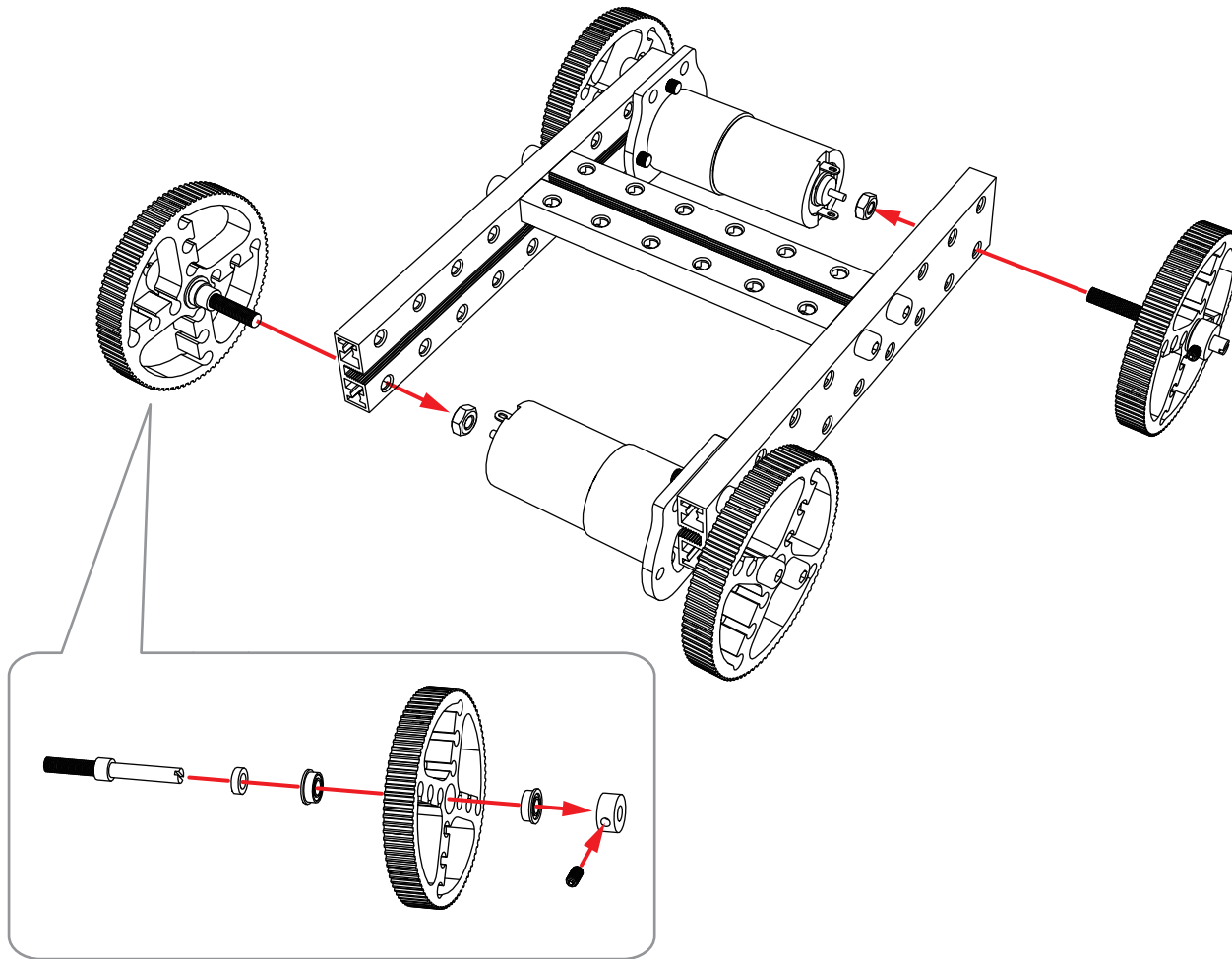
- 2x  DC Motor-25 Bracket
- 2x  DC Motor-25
- 4x  Screw M4X14
- 4x  Countersunk Screw M3x8








3



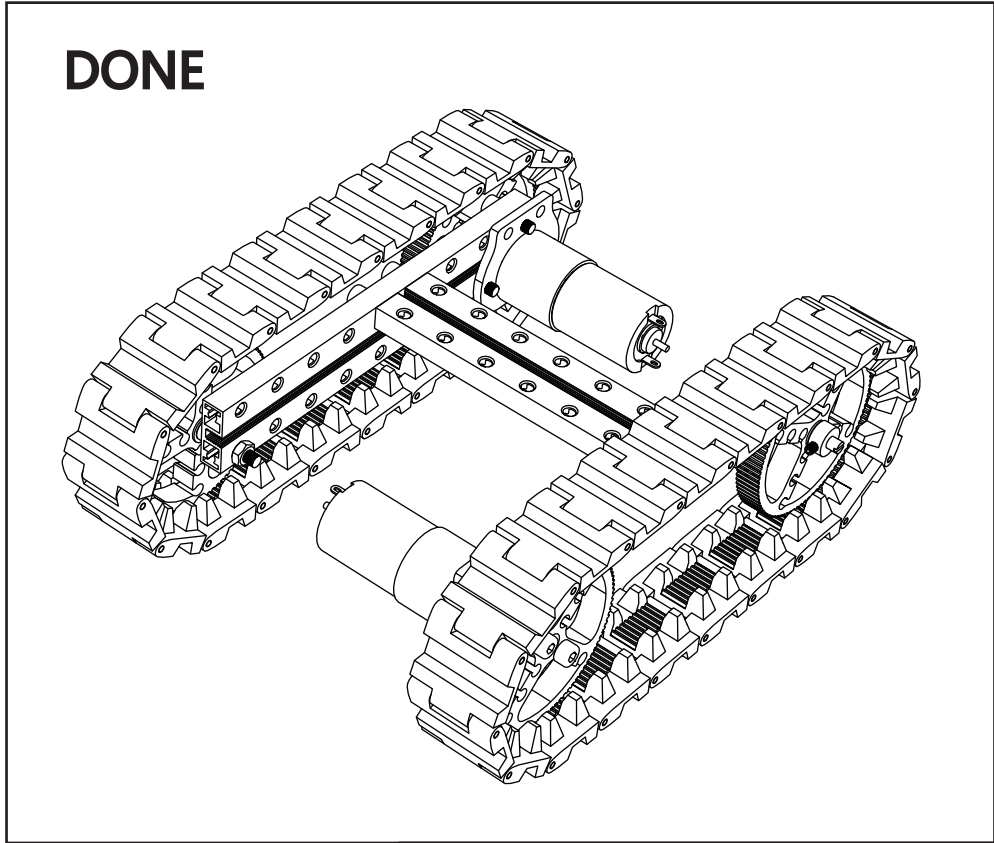
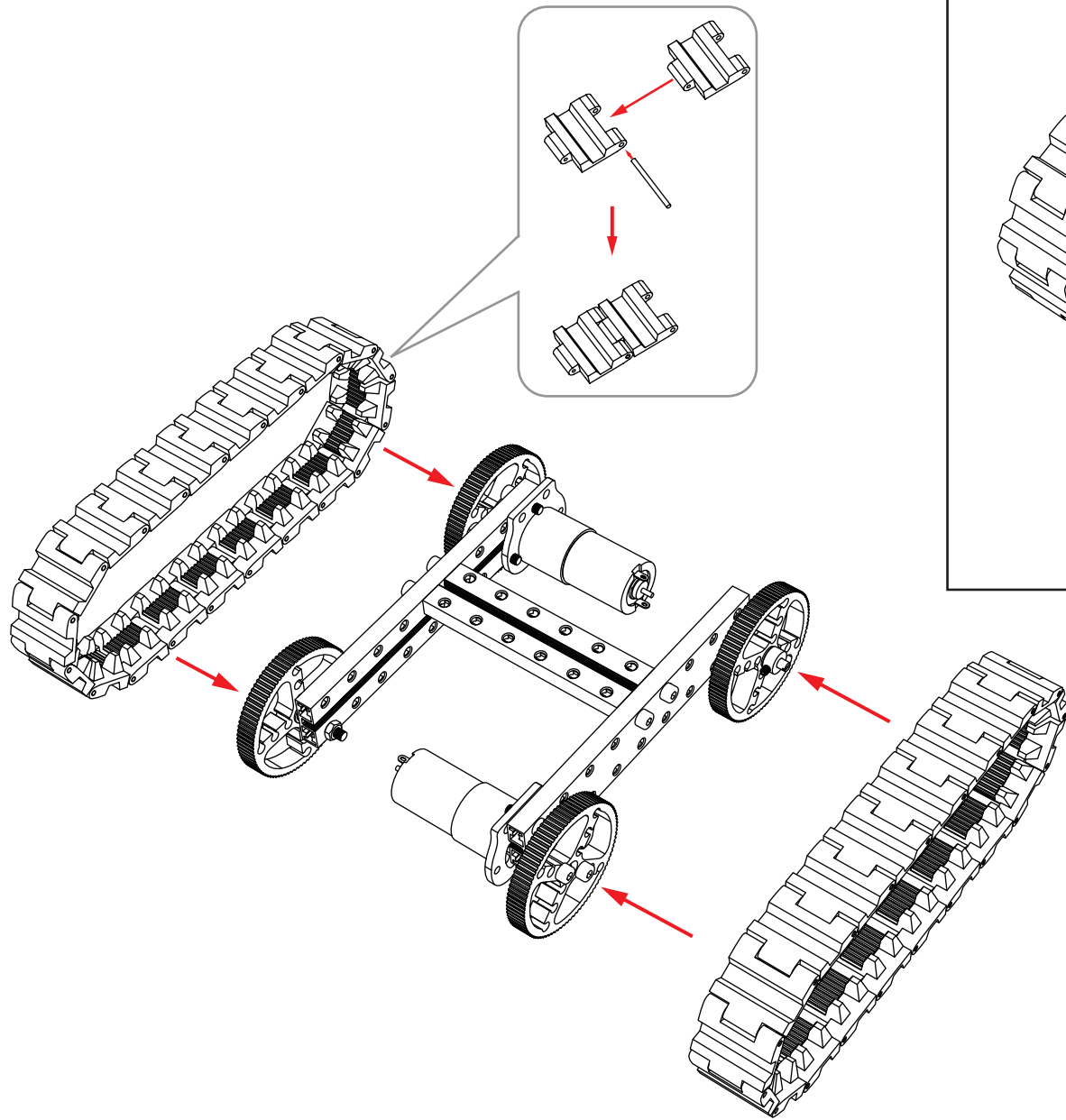
- 2x  Timing Pulley 90T
- 2x  Shaft Connector-4
- 4x  Screw M4X14
- 2x  Headless Screw M3x5

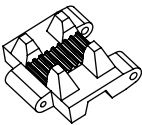
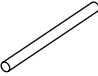
4



- 2x  Timing Pulley 90T
- 2x  Threaded Shaft 4X31mm
- 2x  Shaft Collar 4mm
- 4x  Flange Bearing 4x8x3mm
- 2x  Plastic Ring 4x7x2
- 2x  Nut M4
- 2x  Headless Screw M3x5

5



- 40x  Track
- 40x  Track Axle