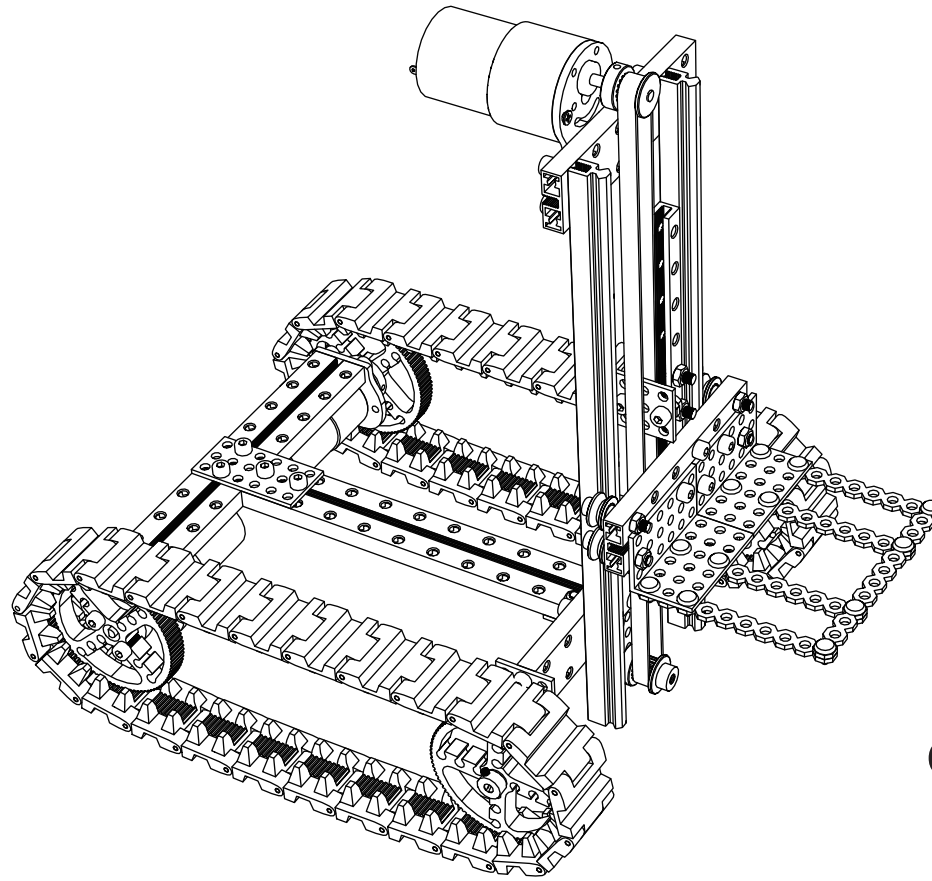


Makeblock

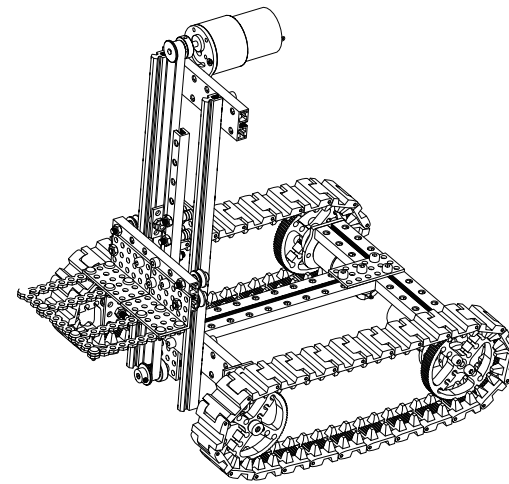
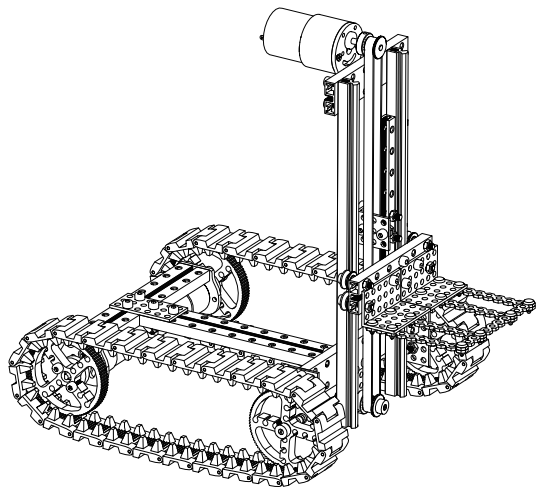
CONSTRUCT YOUR DREAMS



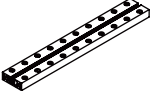
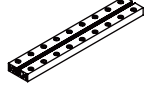





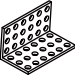


Suitable for use




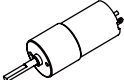
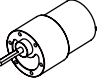
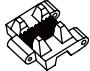



- Ultimate kit
- Lab kit













GUIDE FOR BUILDING THE
FORKLIFT



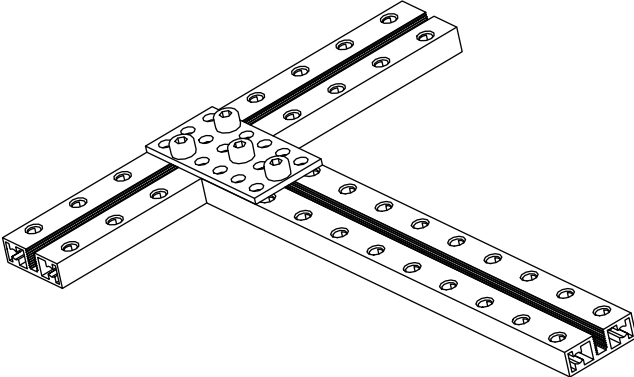
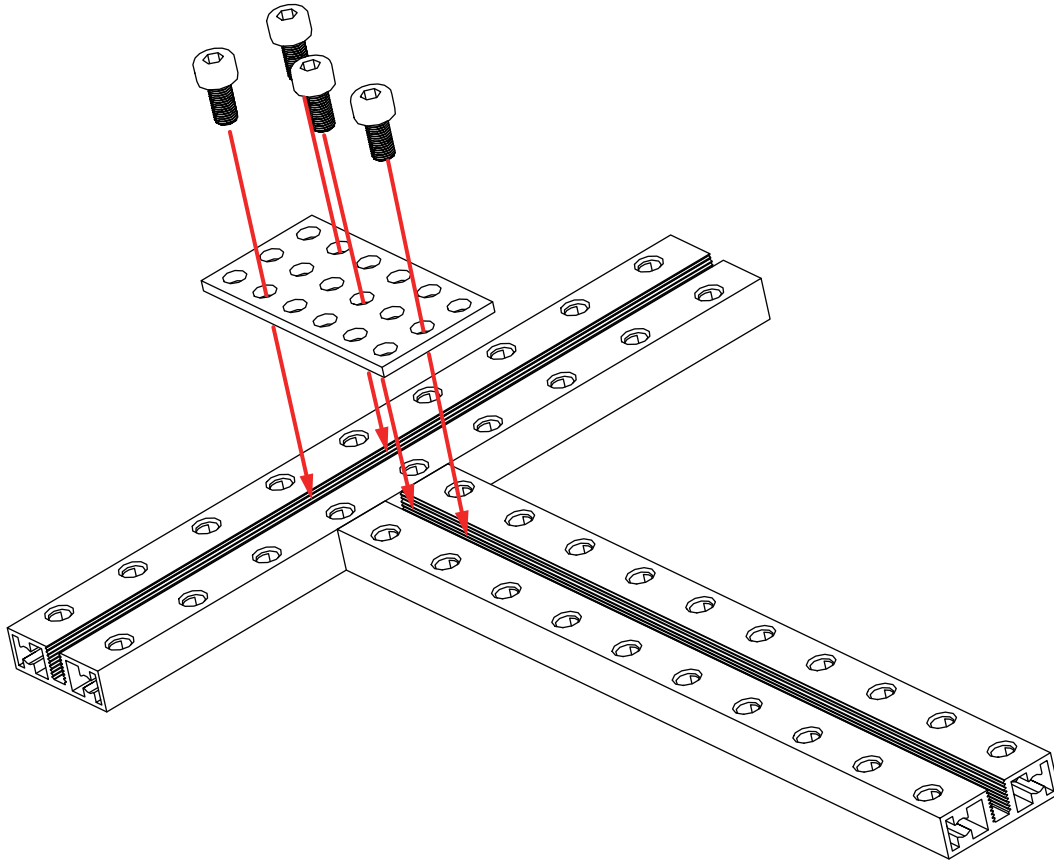
Part list

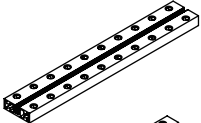
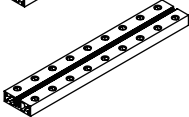
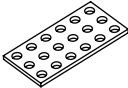

- 1x  Beam 0824-160
- 2x  Beam 0824-144
- 2x  Beam 0824-96
- 1x  Beam 0808-128
- 2x  Slider-256
- 3x  Link Rod
- 2x  Bracket 3x3
- 2x  Bracket 3x6
- 3x  Plate 3x6
- 4x  Timing Pulley 90T

- 2x  Timing Pulley 18T
- 2x  DC Motor-25 Bracket
- 1x  DC Motor-37 Bracket
- 2x  DC Motor-25
- 1x  DC Motor-37
- 48x  Track
- 48x  Track Axle
- 2x  Shaft Connector-4
- 5x  Threaded Shaft 4X31mm

- 4x  V-slot Bearing
- 4x  Flange Bearing 4x8x3mm
- 5x  Shaft Collar 4mm
- 15x  Nut M4
- 6x  Countersunk Screw M3x8
- 8x  Headless Screw M3x5
- 6x  Screw M4x22
- 18x  Screw M4x14
- 18x  Screw M4x8
- 20x  Plastic Ring 4x7x2
- 12x  Plastic Rivet R4060
- 1x  Timing Belt 378T

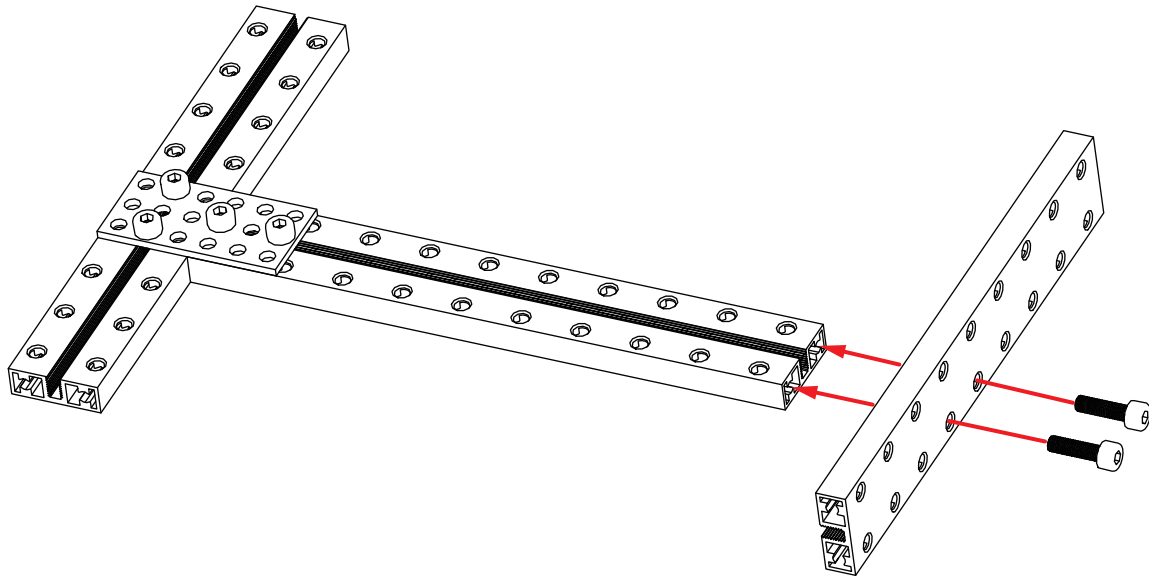
1



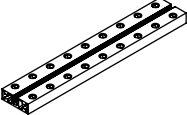
1x		Beam 0824-160
1x		Beam 0824-144
1x		Plate 3x6
4x		Screw M4x8


The diagram shows the assembly process for step 1. The main drawing on the left shows the 3x6 plate being attached to the L-shaped beam structure. The inset on the right shows the completed assembly. The parts list on the right identifies the components: 1x Beam 0824-160, 1x Beam 0824-144, 1x Plate 3x6, and 4x Screw M4x8.

2

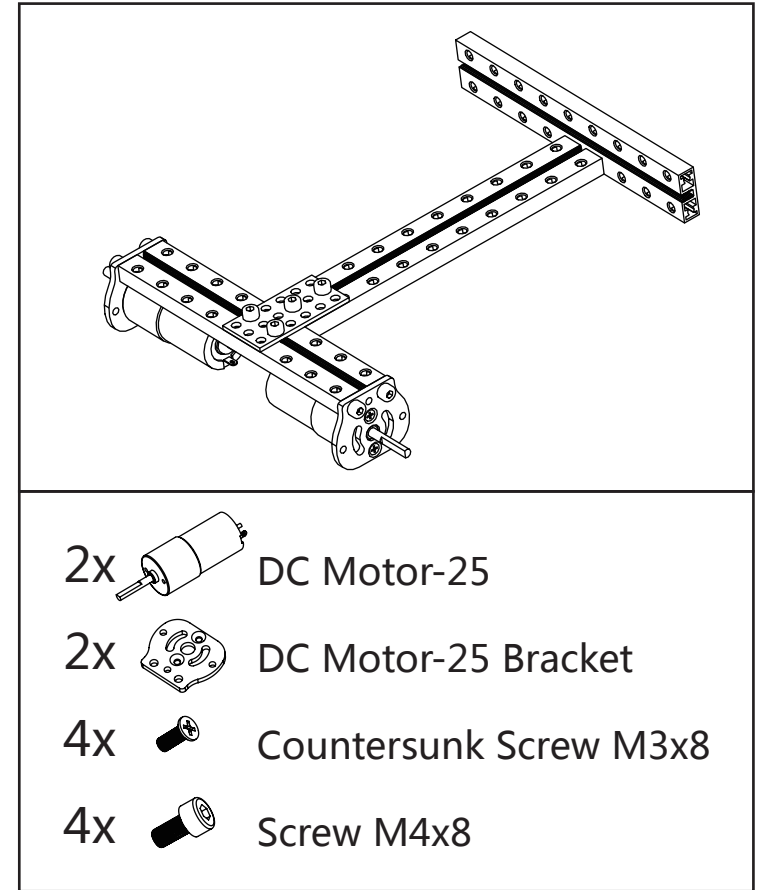
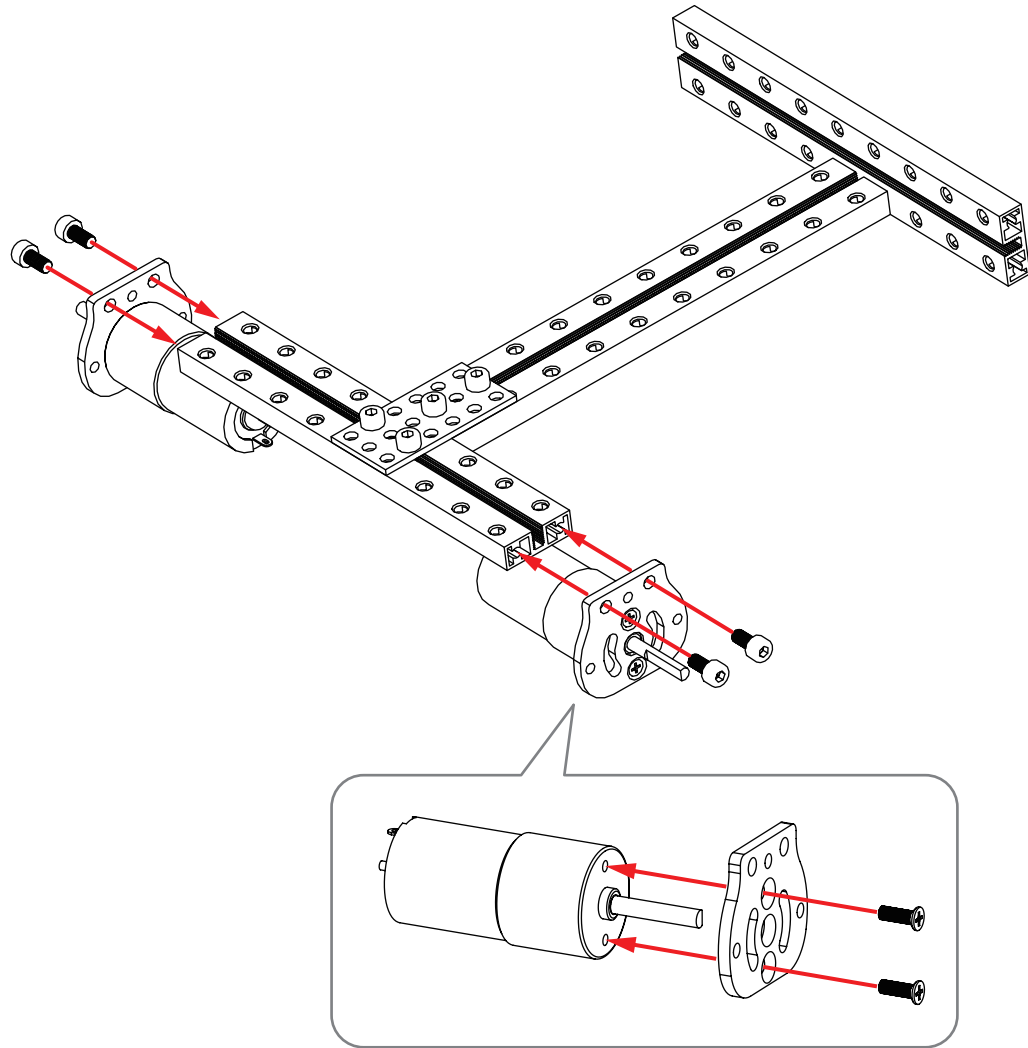


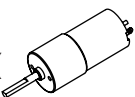



The inset diagram shows the final assembly step. A fourth beam is now attached to the bottom of the structure, forming a complete frame. Two screws are visible, securing the new beam to the horizontal beam of the structure.

1x  Beam 0824-144

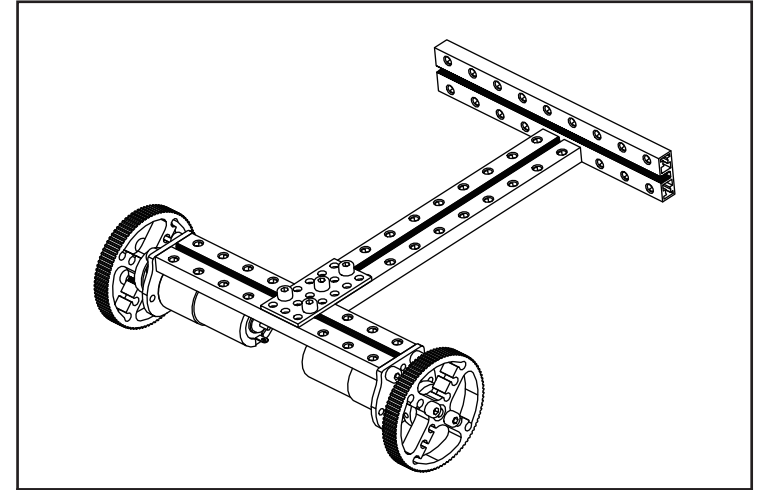
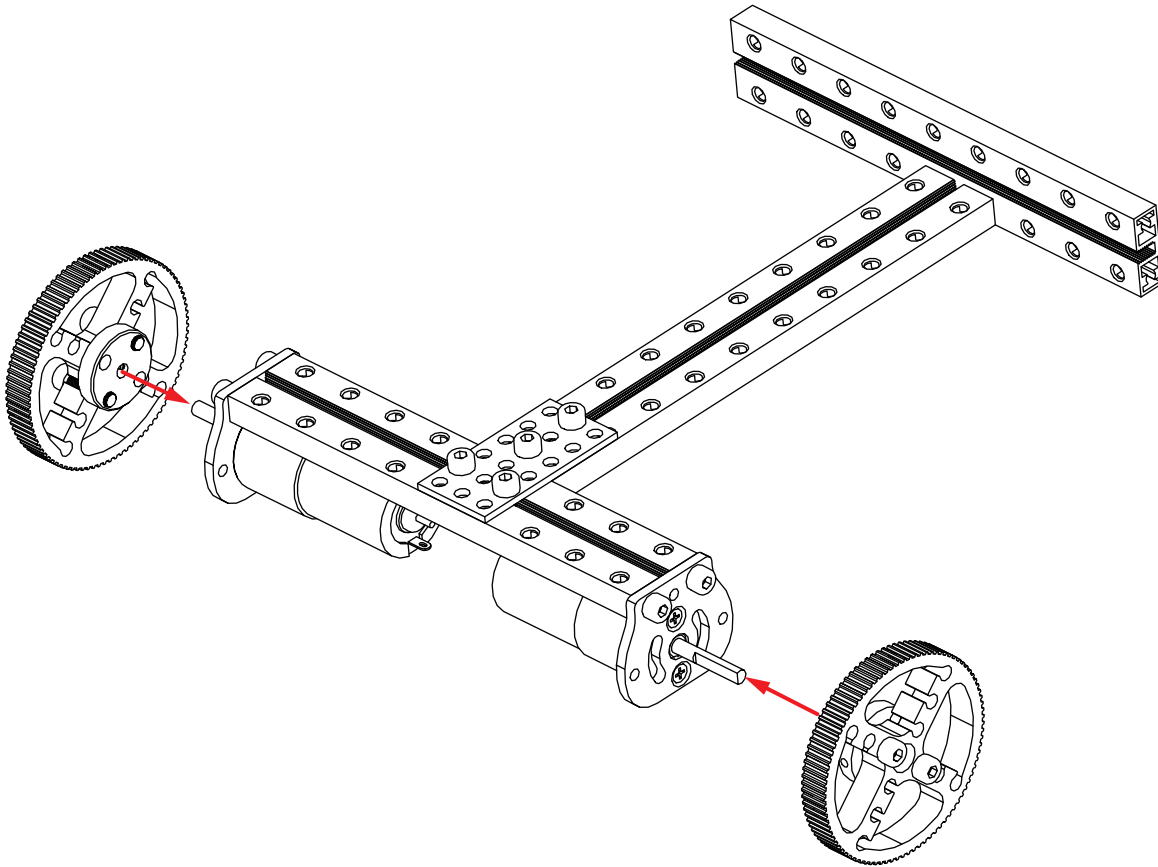
2x  Screw M4X14





3



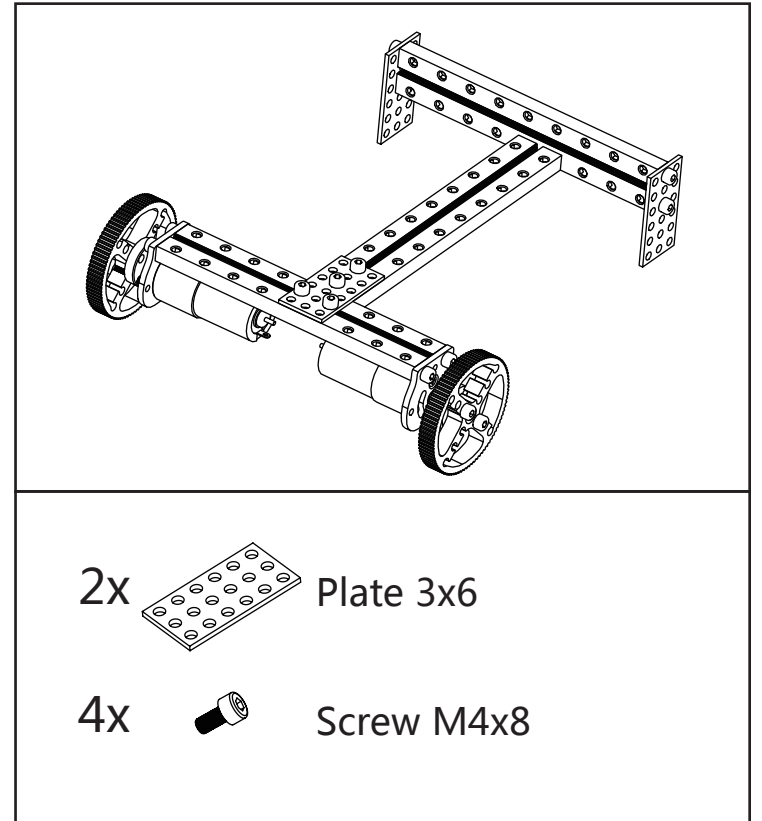
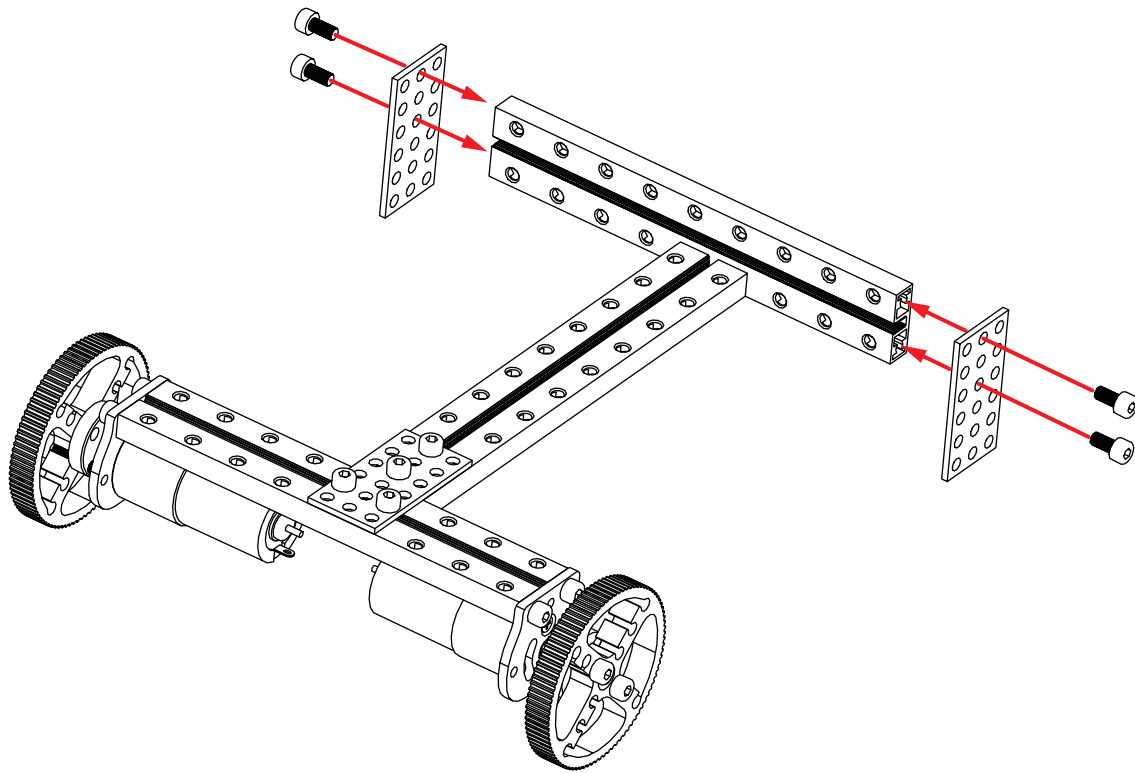
- 2x  DC Motor-25
- 2x  DC Motor-25 Bracket
- 4x  Countersunk Screw M3x8
- 4x  Screw M4x8

4

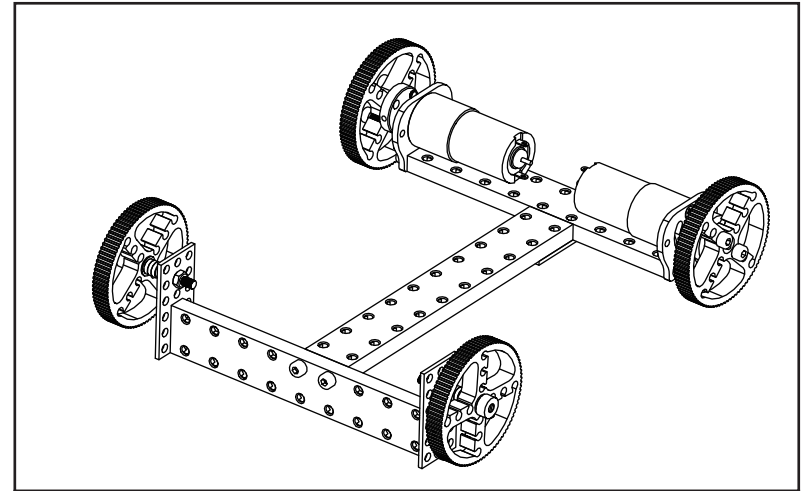
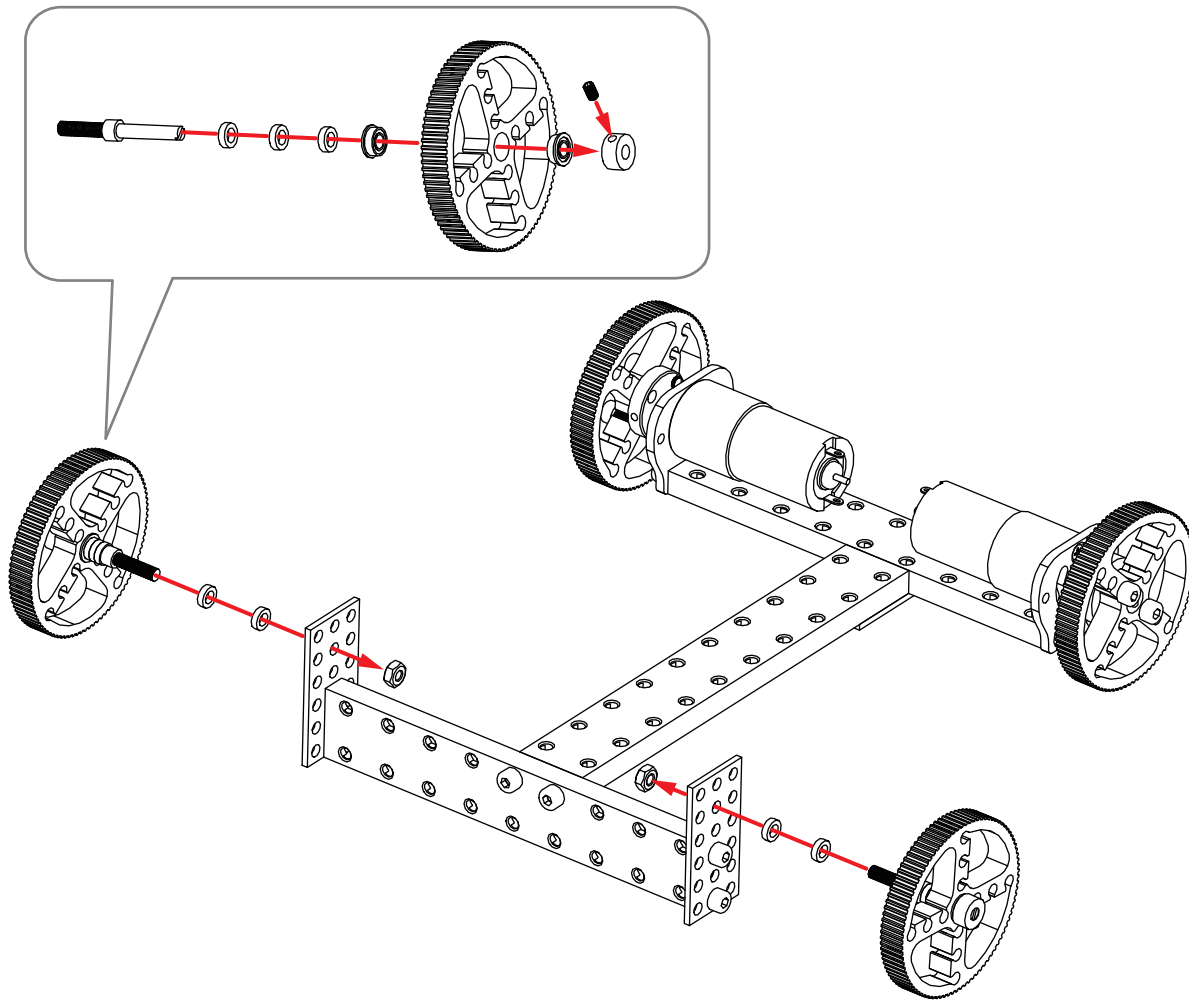


- 2x  Timing Pulley 90T
- 2x  Shaft Connector
- 2x  Headless Screw M3x5
- 4x  Screw M4X14

5

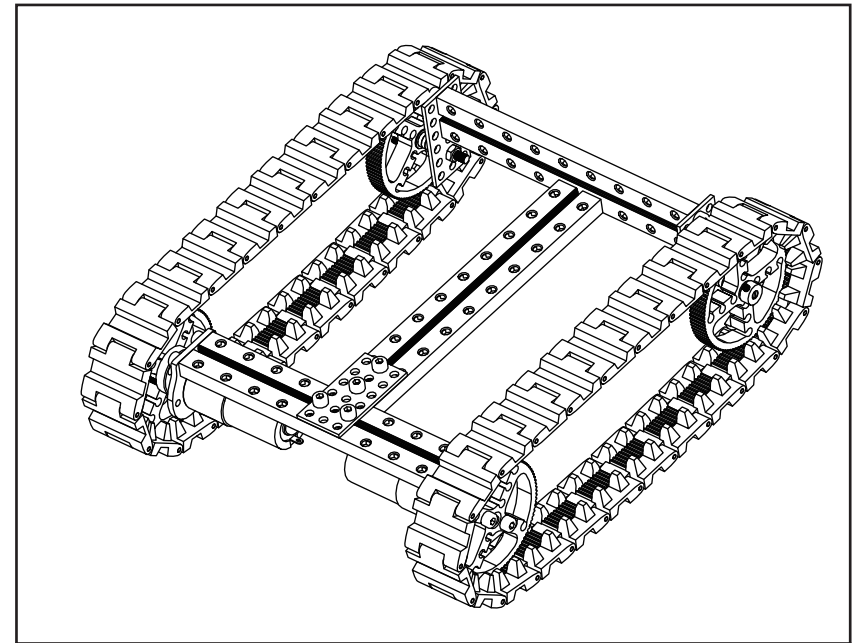
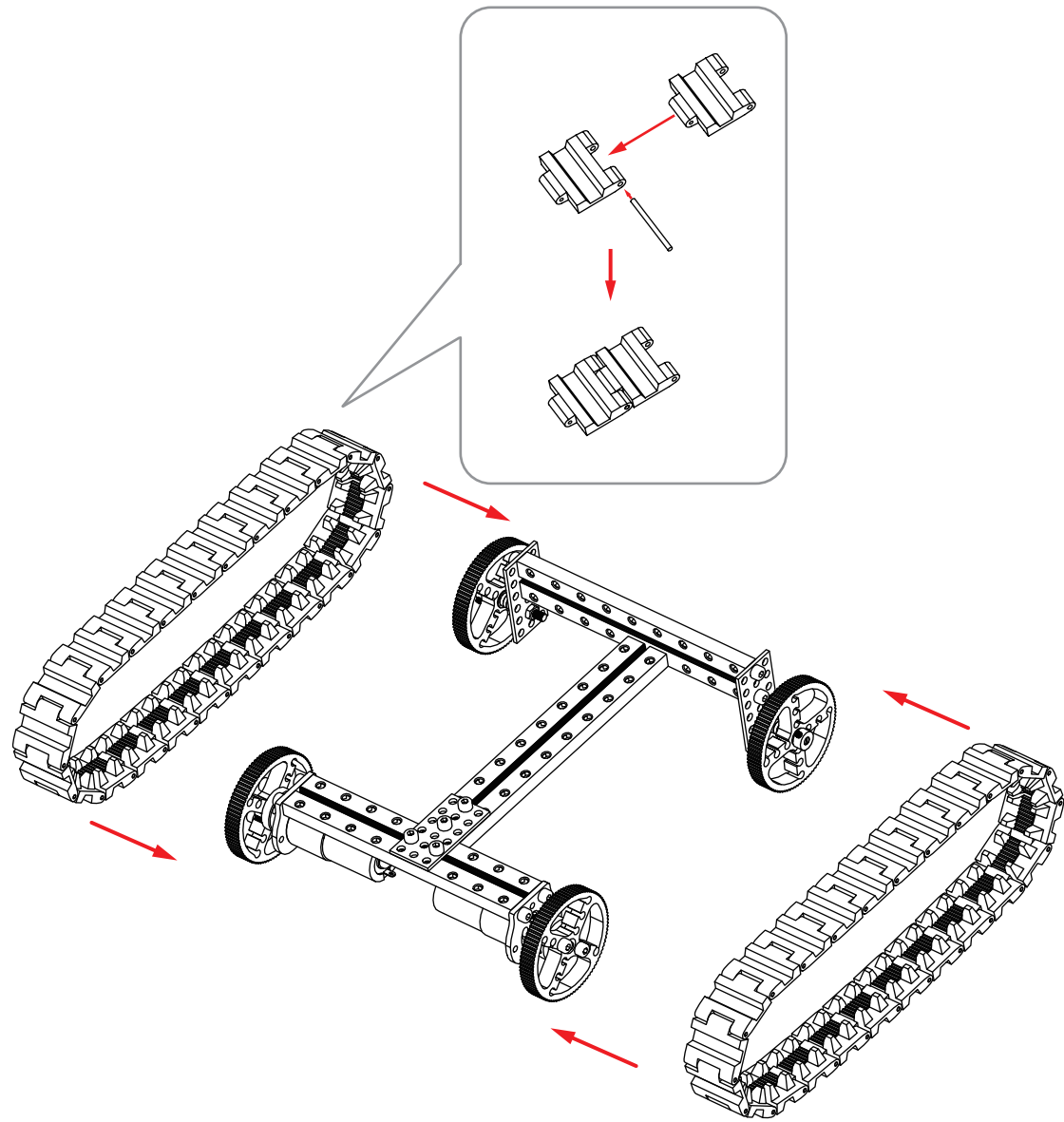


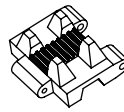
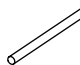
6

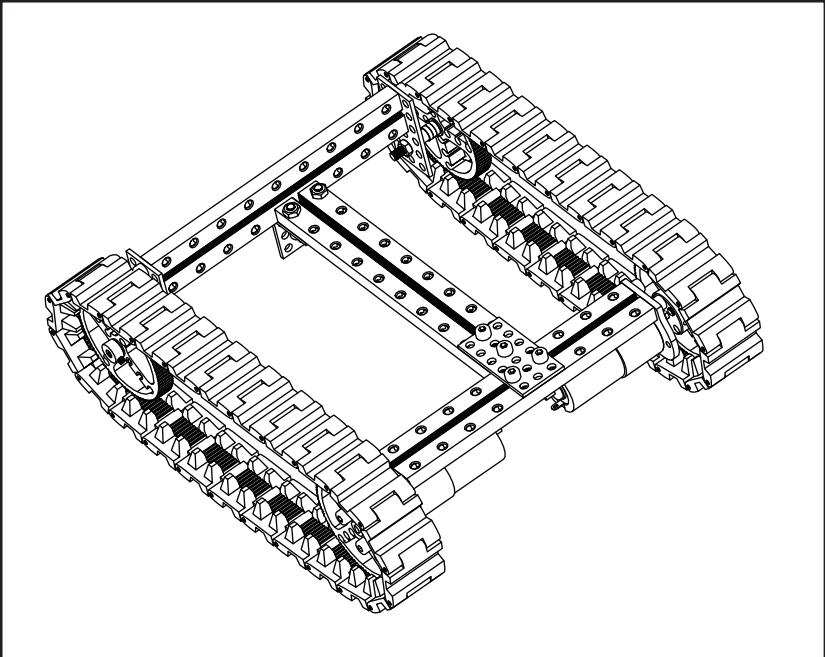
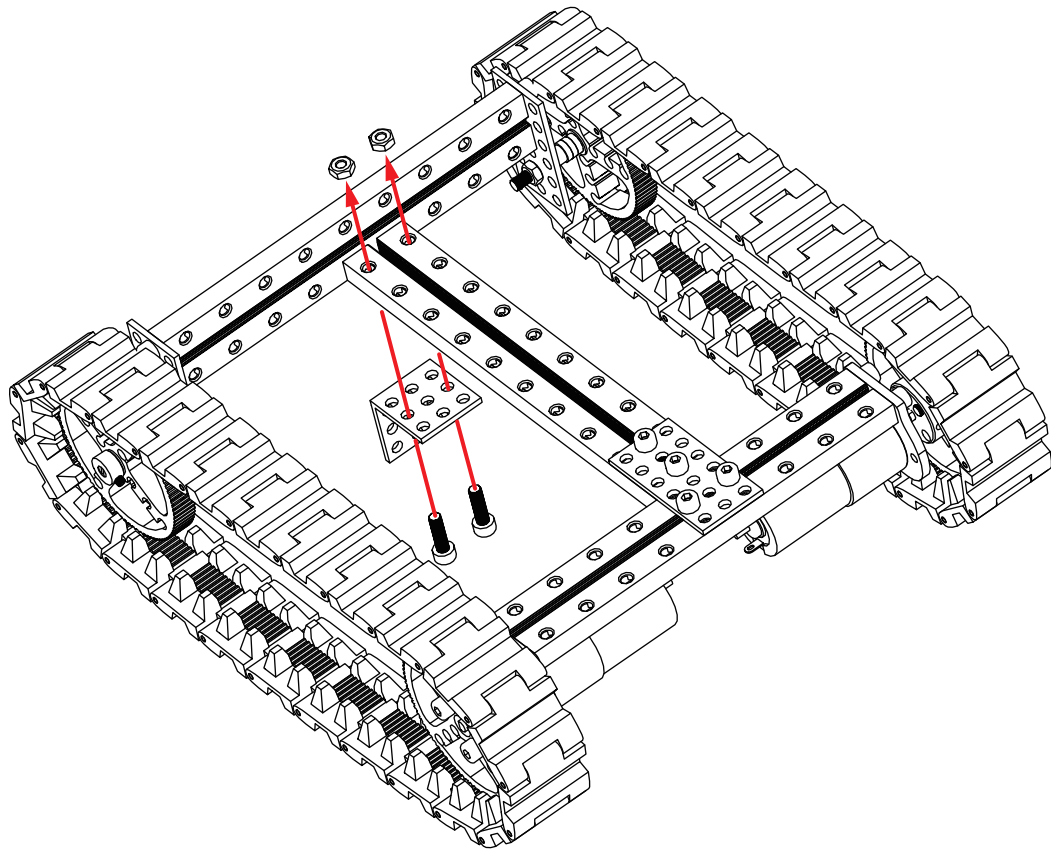





- 2x  Timing Pulley 90T
- 2x  Threaded Shaft 4X31mm
- 4x  Flange Bearing 4x8x3mm
- 2x  Shaft Collar 4mm
- 2x  Headless Screw M3x5
- 10x  Plastic Ring 4x7x2
- 2x  Nut M4

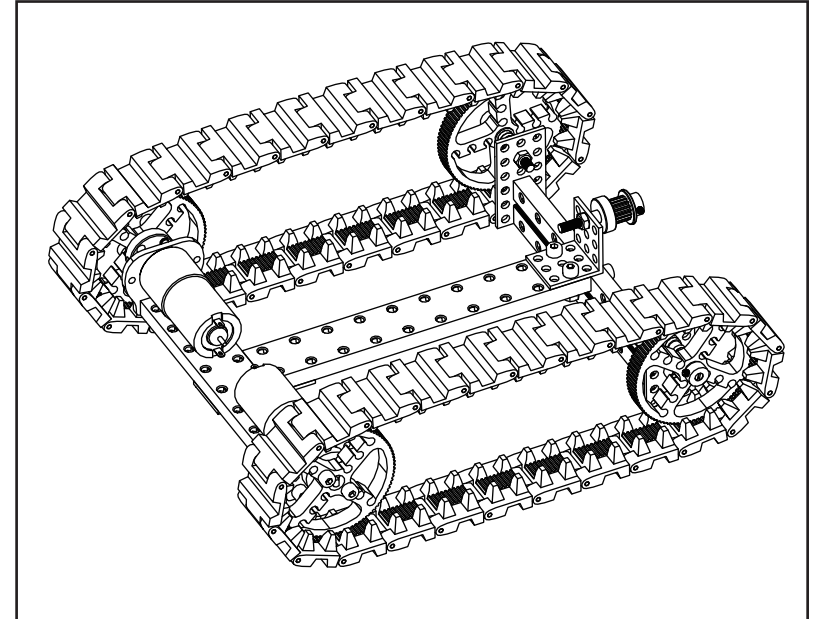
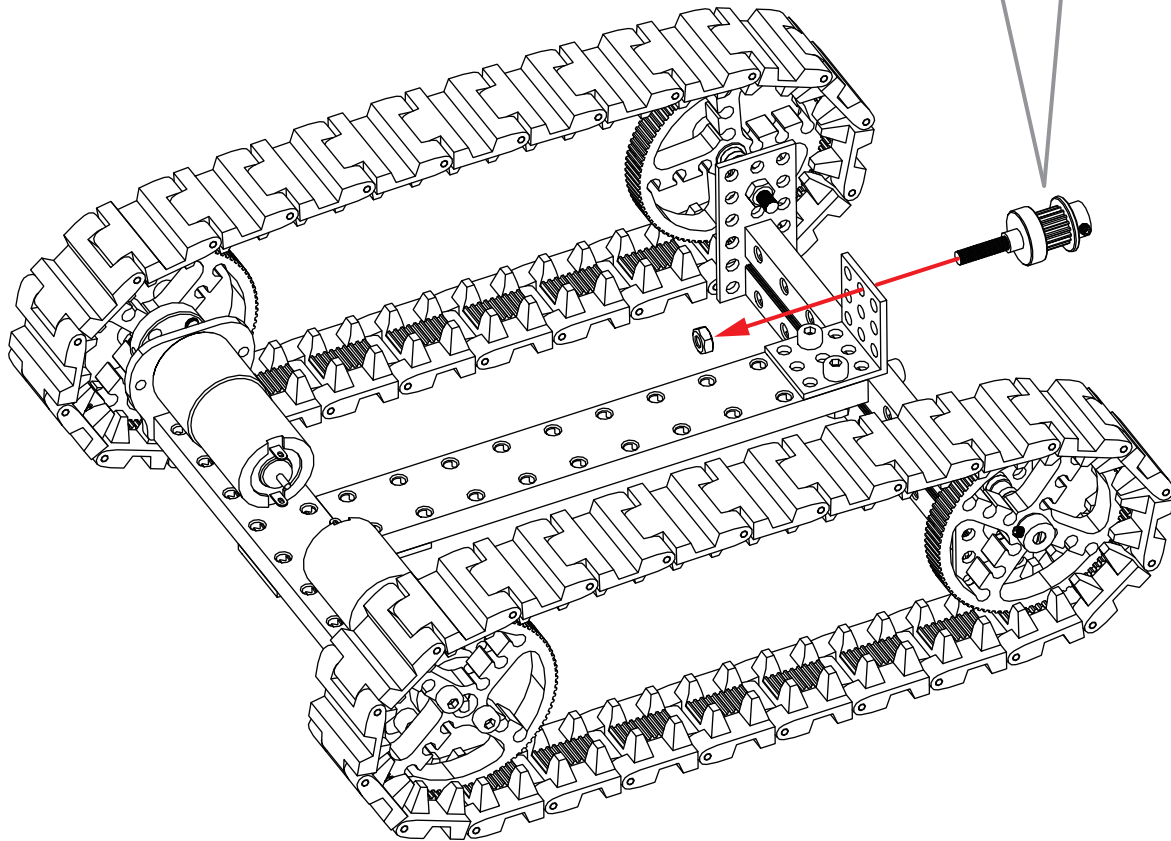
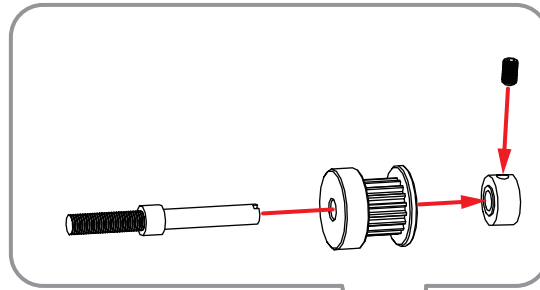
7








- 48x  Track
- 48x  Track Axle



- 1x  Bracket 3x3
- 2x  Screw M4X14
- 2x  Nut M4

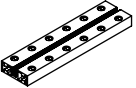




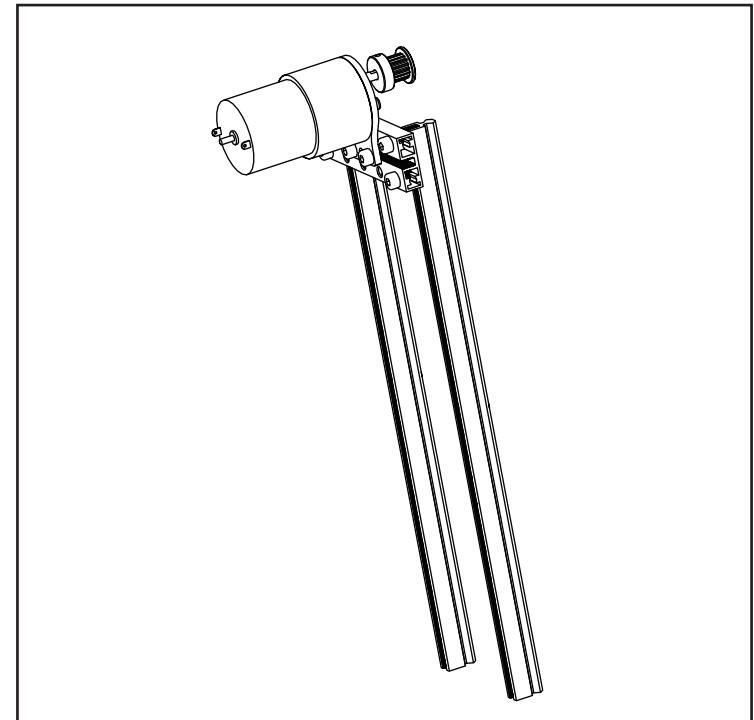
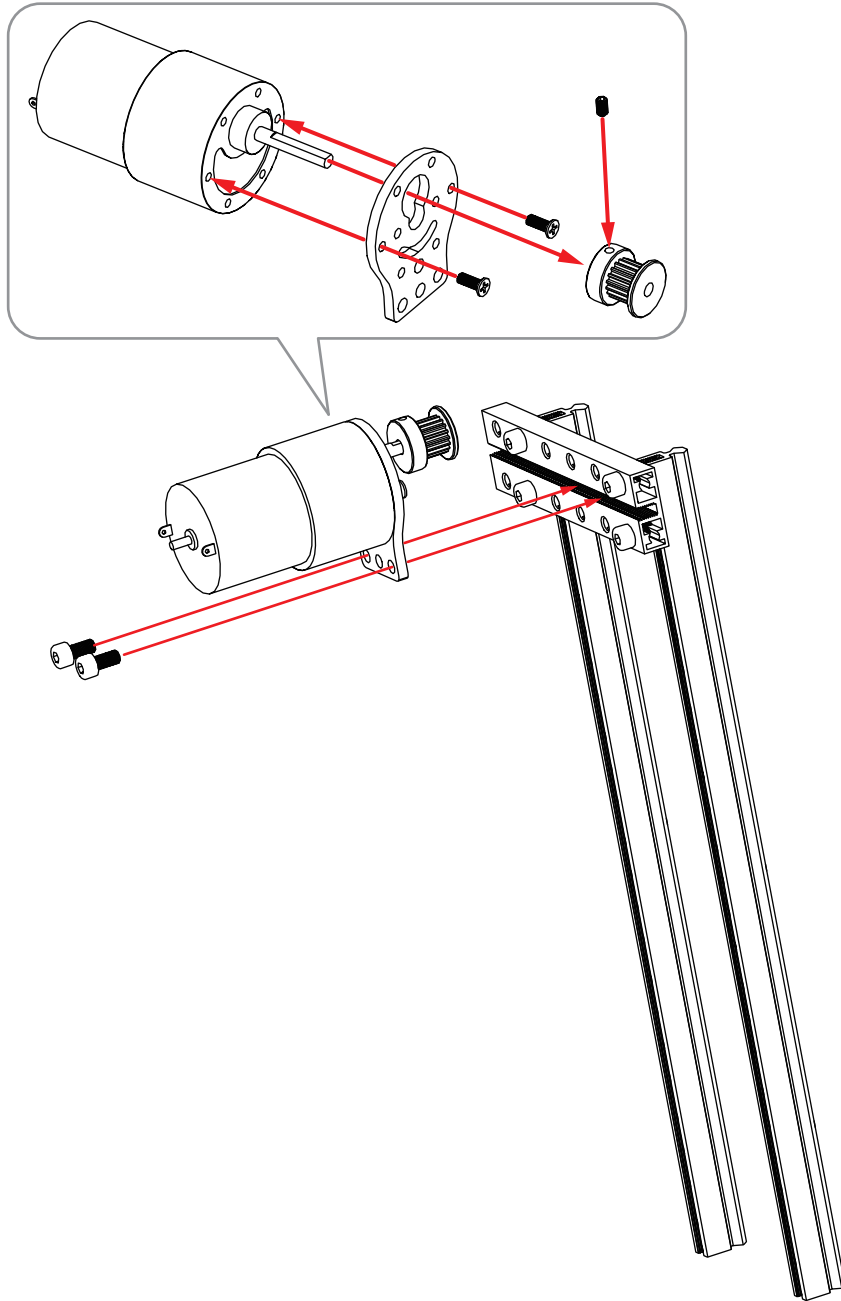
- 1x  Timing Pulley 18T
- 1x  Threaded Shaft 4x31mm
- 1x  Shaft Collar 4mm
- 1x  Headless Screw M3x5
- 1x  Nut M4

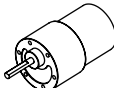





10



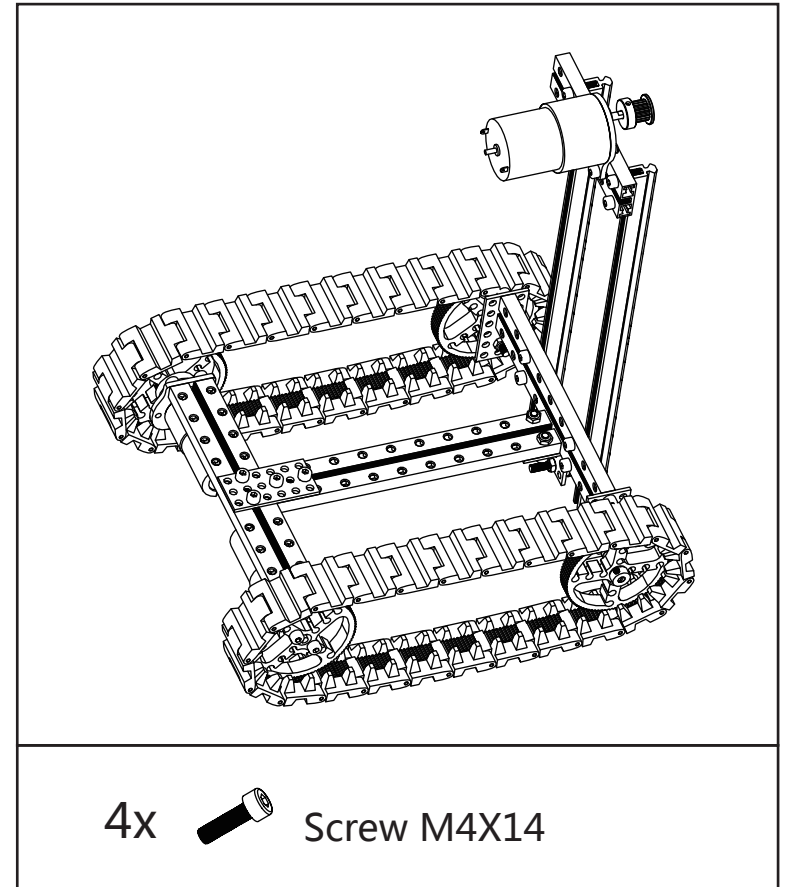
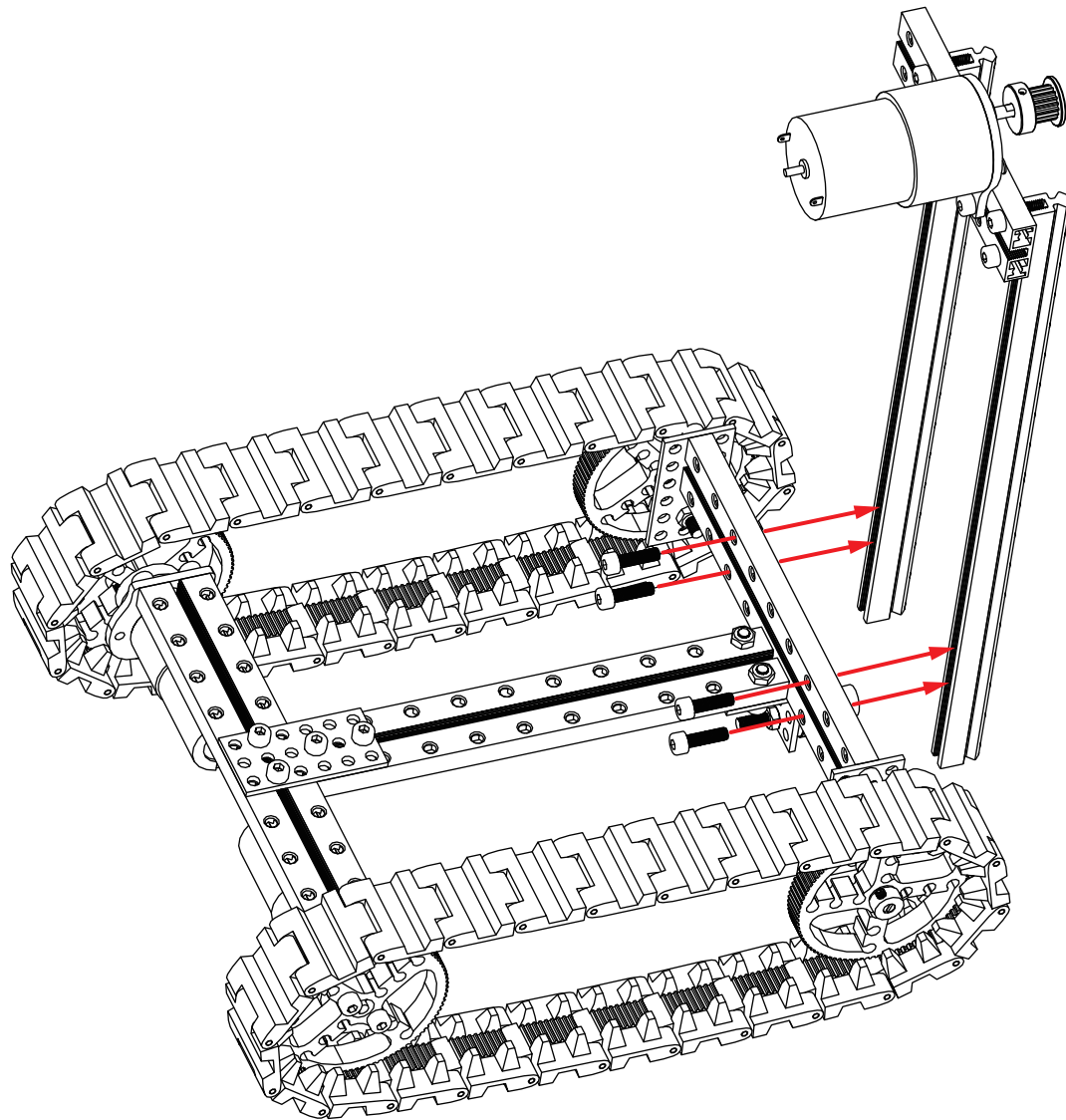
A perspective view of the assembled beam and slider rails. The beam is mounted on the rails, and the screws are visible at the ends.

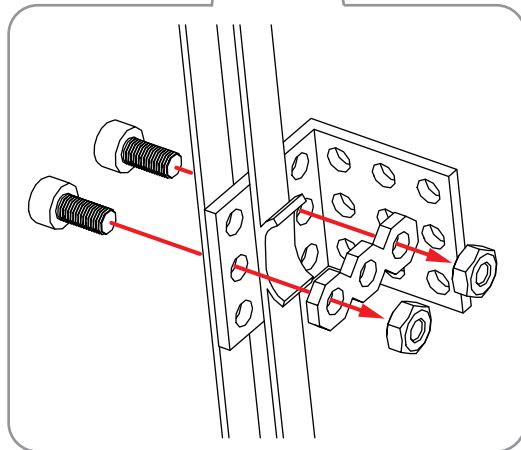
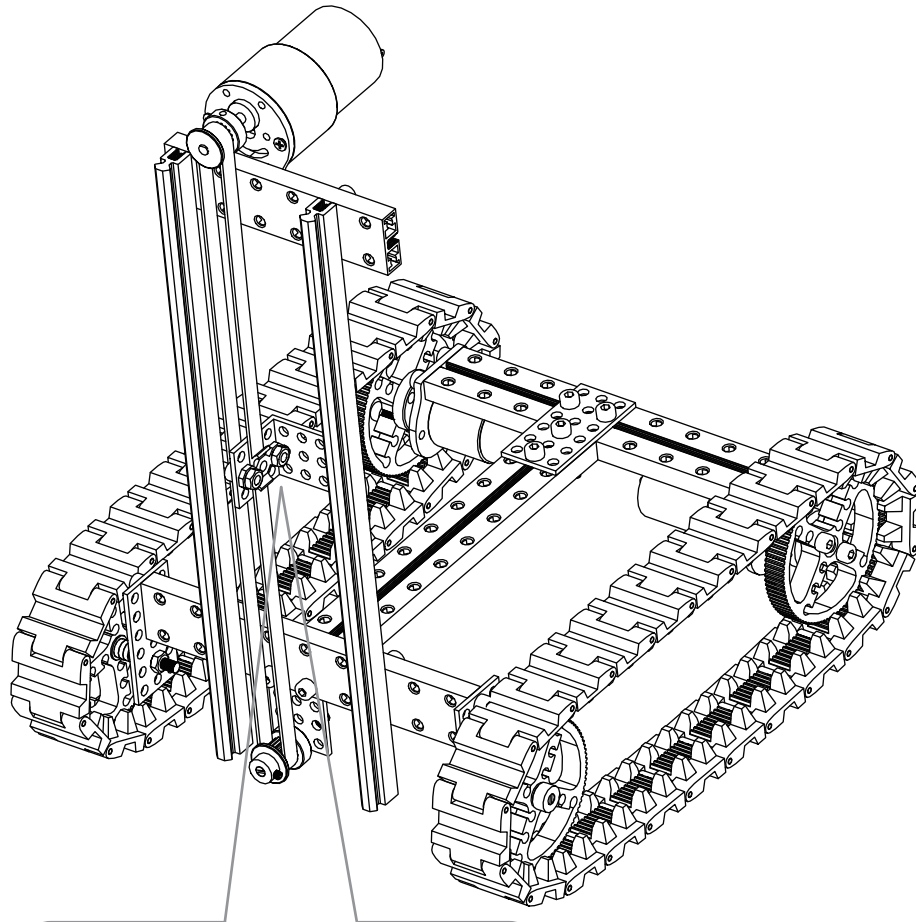
1x		Beam 0824-96
2x		Slider-256
4x		Screw M4X14

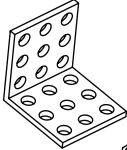
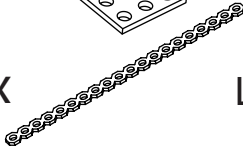






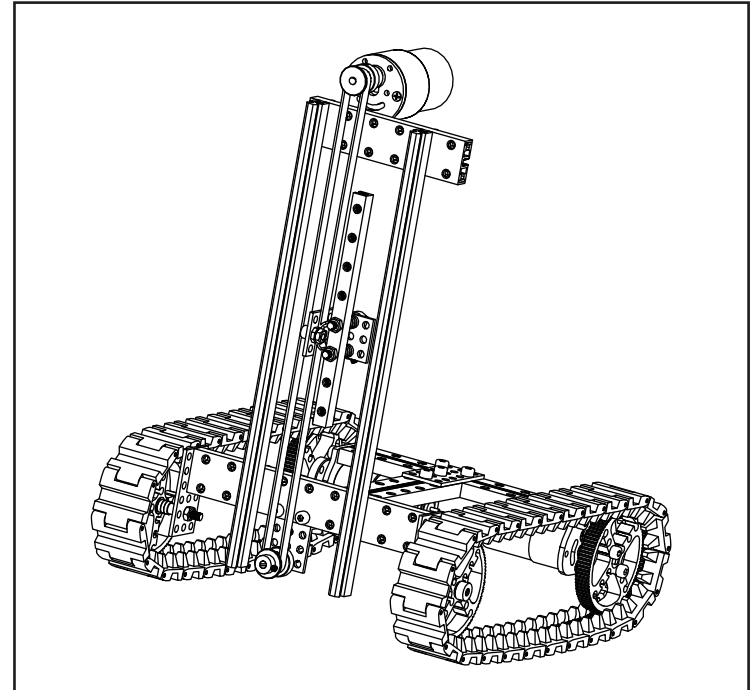
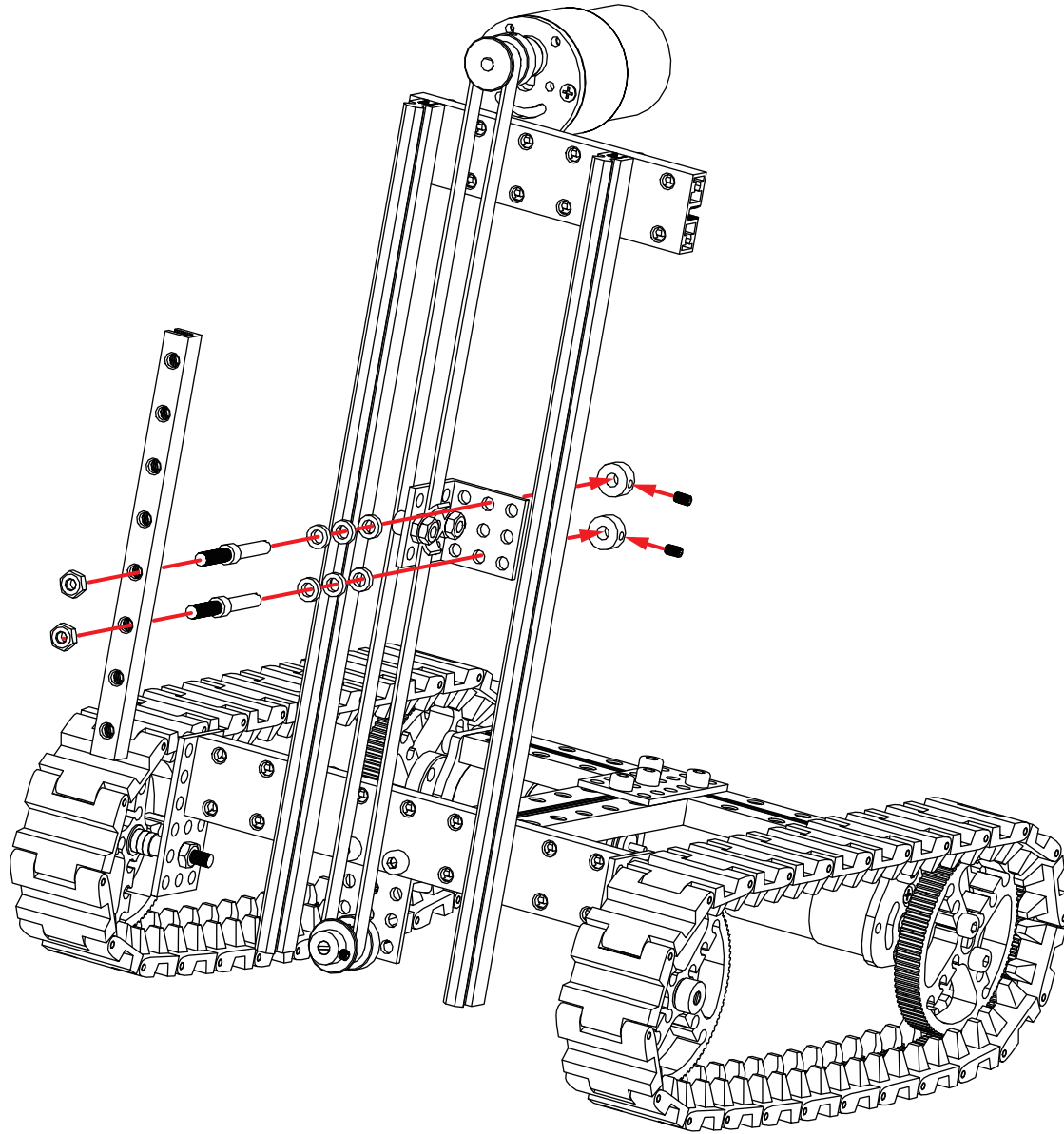
- 1x  DC Motor-37
- 1x  DC Motor-37 Bracket
- 1x  Timing Pulley 18T
- 1x  Headless Screw M3x5
- 2x  Countersunk Screw M3x8
- 2x  Screw M4x8

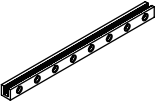





12



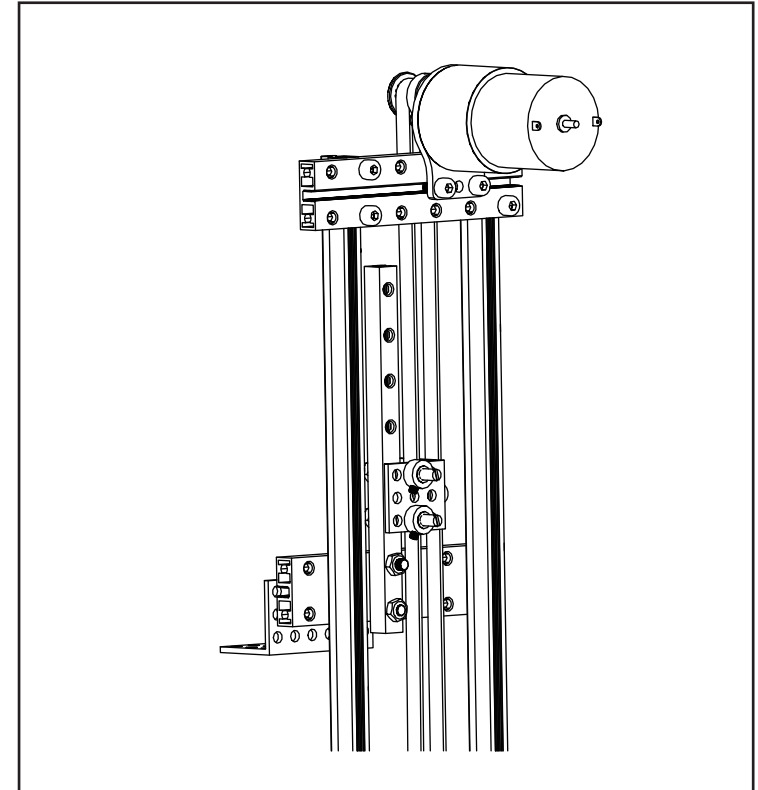
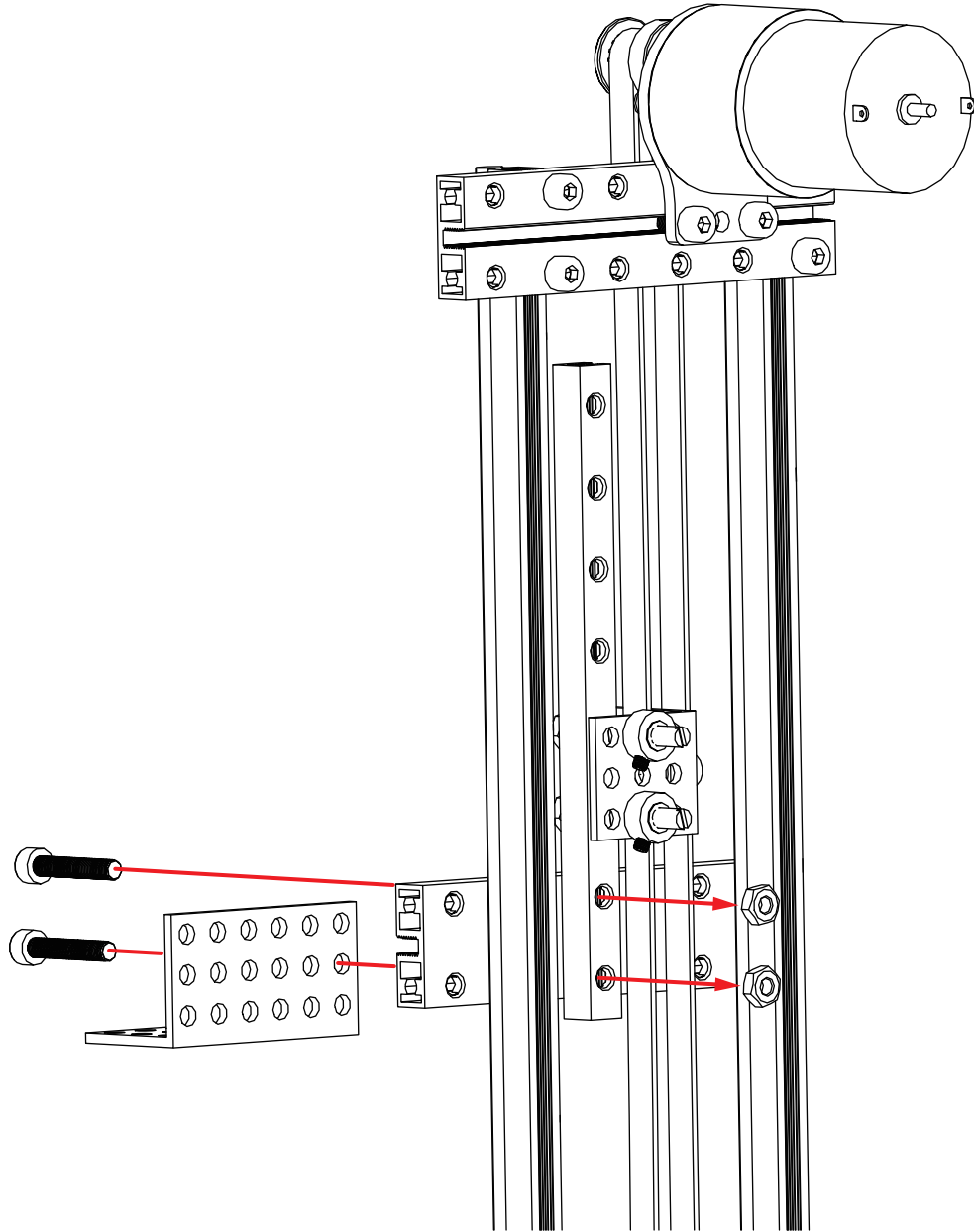


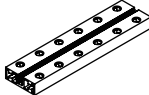
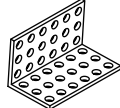


- | | | |
|----|---|------------------|
| 1x |  | Bracket 3x3 |
| 1x |  | Link Rod |
| 2x |  | Screw M4x8 |
| 2x |  | Screw M4X14 |
| 2x |  | Nut M4 |
| 1x |  | Timing Belt 378T |



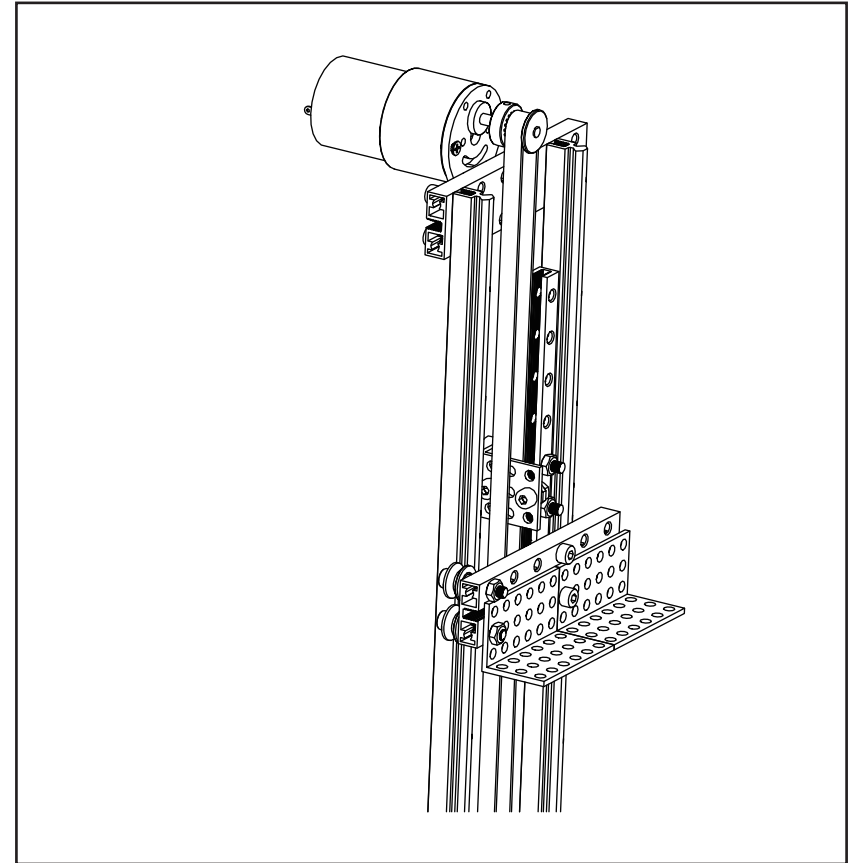
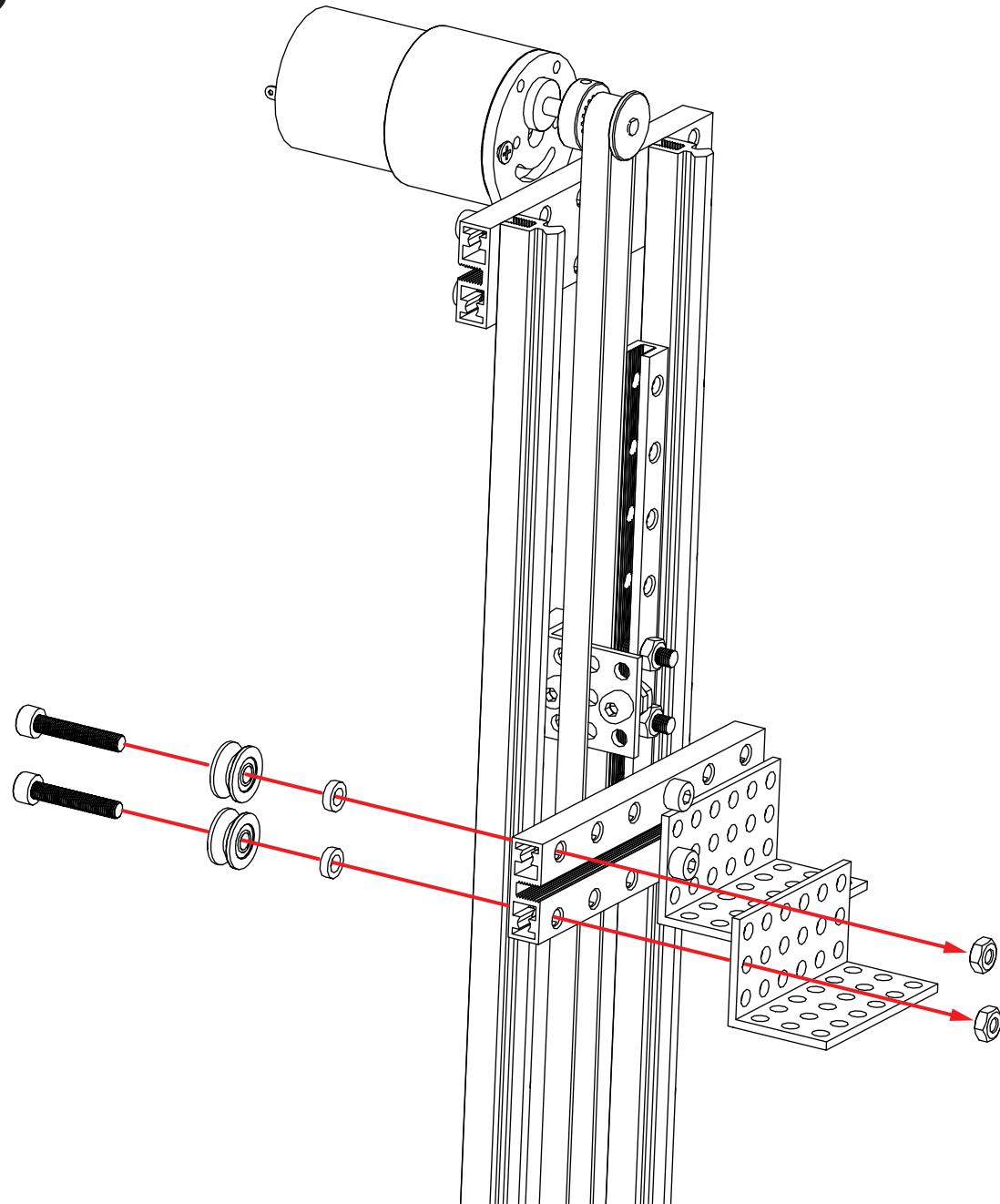
- 1x  Beam 0808-128
- 2x  Threaded Shaft 4x31mm
- 2x  Nut M4
- 6x  Plastic Ring 4x7x2
- 2x  Shaft Collar 4mm
- 2x  Headless Screw M3x5

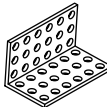




15



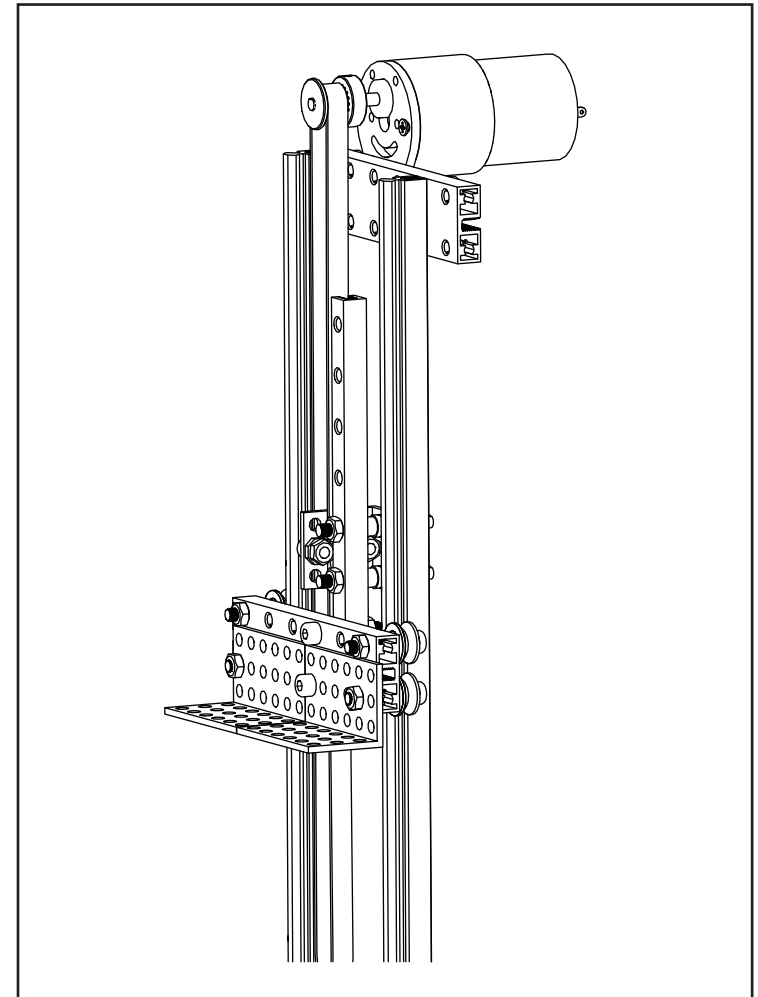
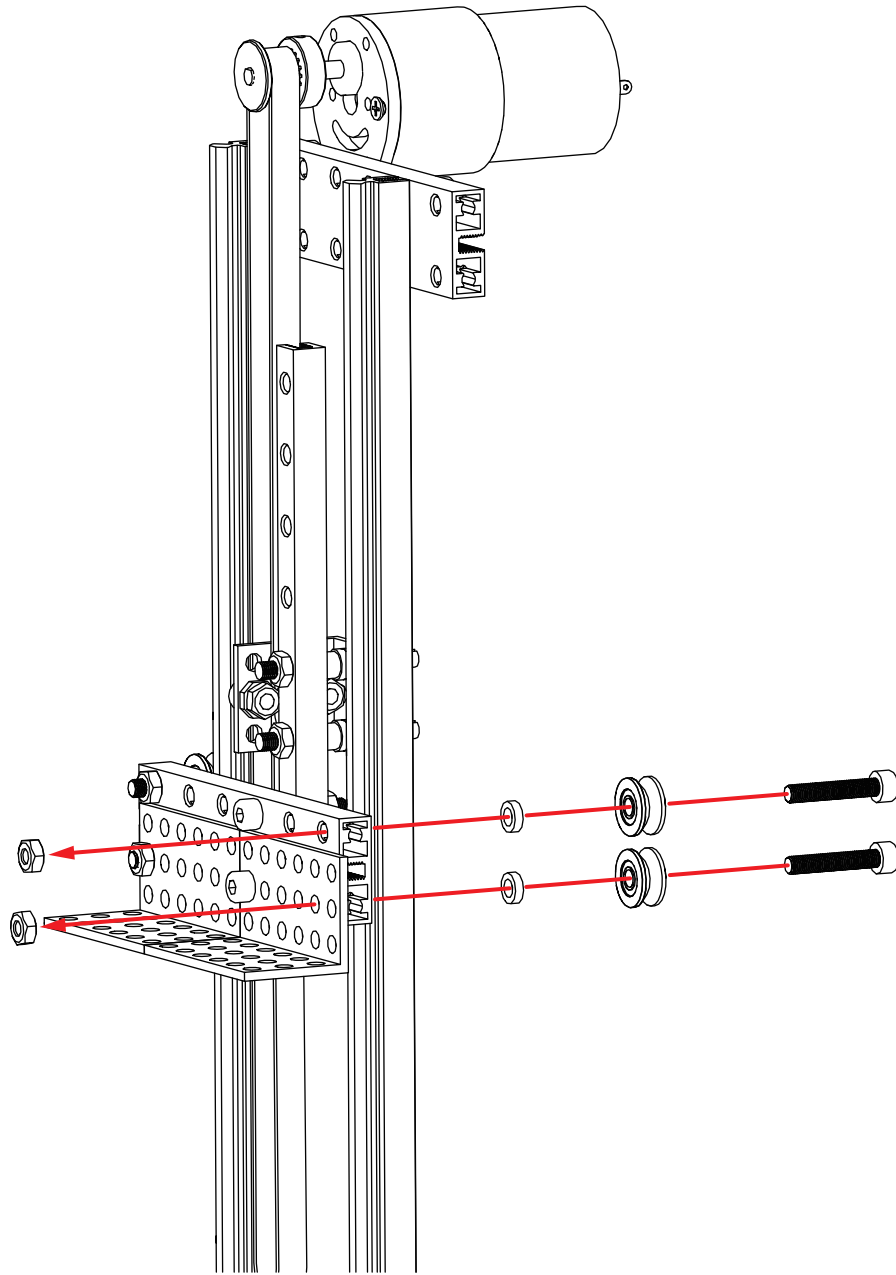
- 1x  Beam 0824-96
- 1x  Bracket 3x6
- 2x  Screw M4X22
- 2x  Nut M4

16



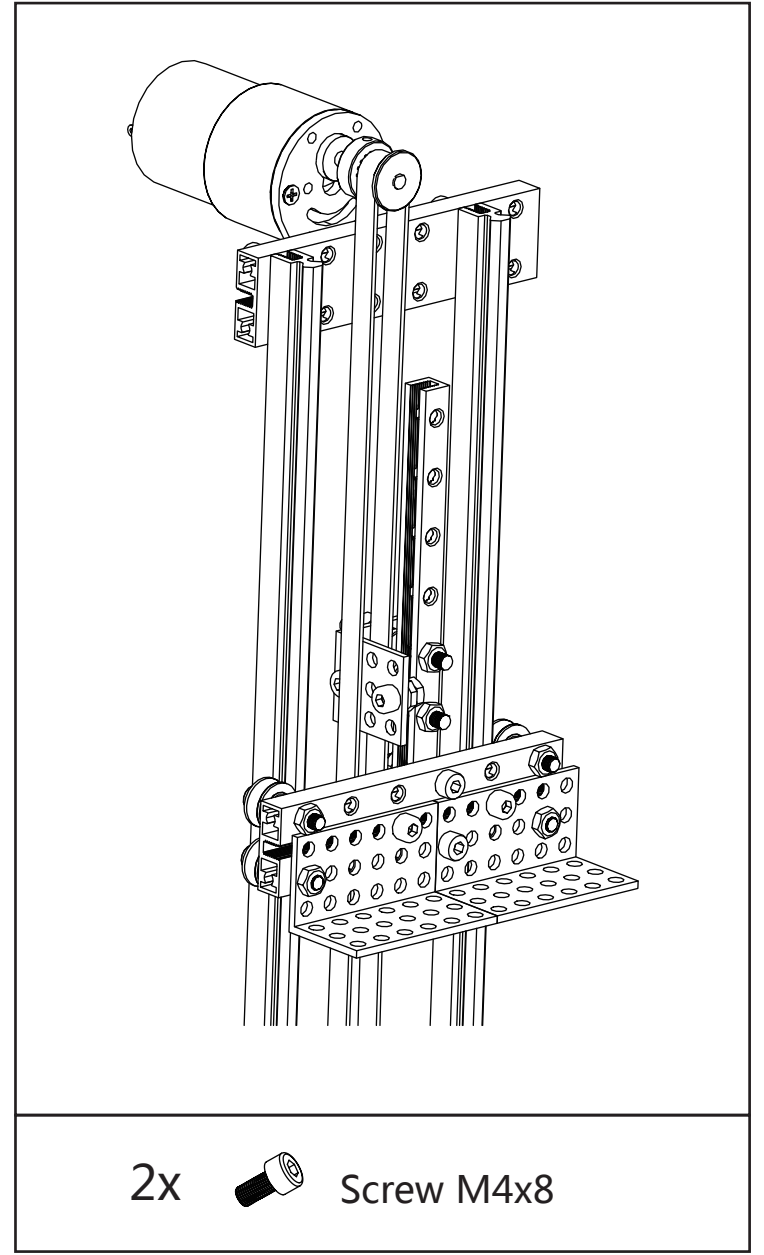
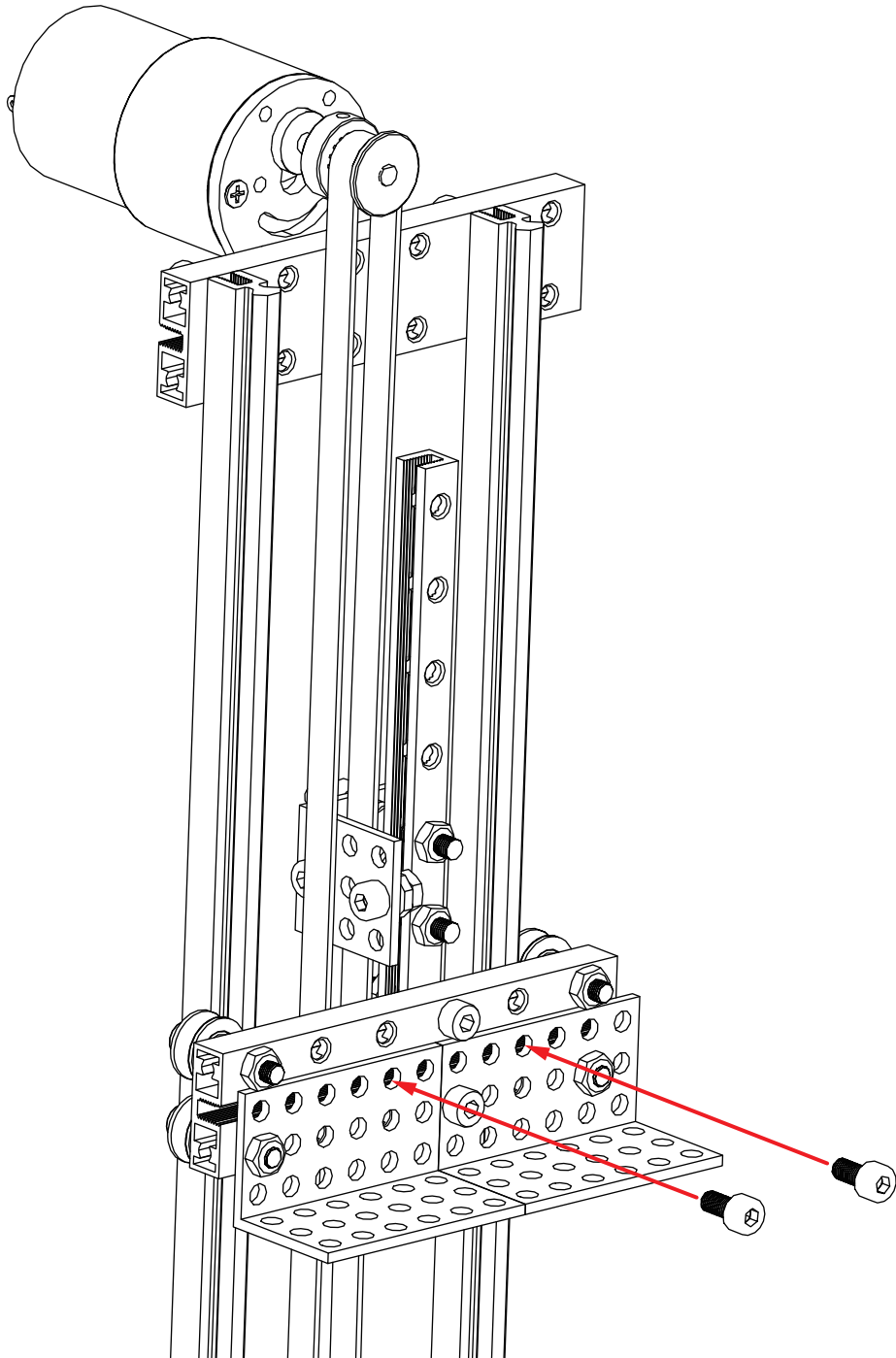
- 1x  Bracket 3x6
- 2x  Flange Bearing 4x13x6mm
- 2x  Screw M4x22
- 2x  Nut M4
- 2x  Plastic Ring 4x7x2

17

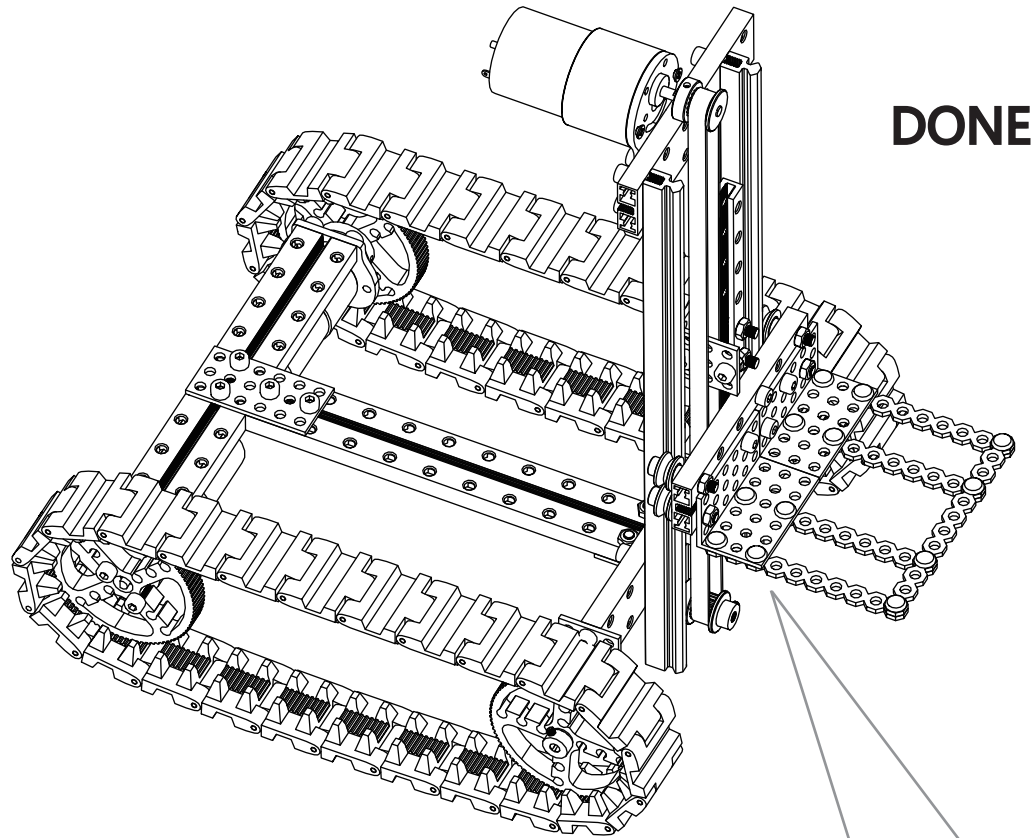




- 2x  V-slot Bearing
- 2x  Screw M4x22
- 2x  Plastic Ring 4x7x2
- 2x  Nut M4

18



2x  Screw M4x8



3x		Link Rod
12x		Plastic Rivet R4060

